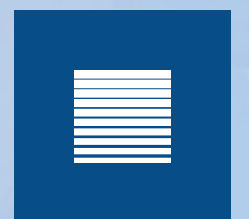




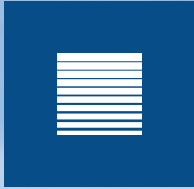
ALUMINIUM
ROLLER SHUTTERS
FOR SPECIAL VEHICLES



Serena
production
s.r.l.



SRS[®]
ROLLER SHUTTERS



SRS[®]
ROLLER SHUTTERS



INTRODUCTION

The main target of company Serena Production is to offer competence and reliability to the customers in the production of aluminium roller shutters for special vehicles.

Serena Production has more than 50 years experience in producing roller shutters and is specialized in the aluminium profile manufacturing, extrusion and assembling.

Furthermore the Company has a wide sales net with many contact points all over Europe and assists the customer through all stages: offer, order, delivery and after sales service.

The roller shutters are sold under SRS brand. The SRS products are manufactured in Italy and are therefore a synonym of reliability, functionality, technology and appealing design for the world wide market of special vehicles.



ROLLER SHUTTERS

The SRS roller shutters are made in extruded aluminium profiles that are assembled in order to assure the maximum sealing against bad weather, easy mounting and noiseless functioning. The roller shutters can be mounted on many different types of commercial, industrial and special vehicles, replacing the cumbersome and troublesome leaf-doors. The profiles are of high quality, made in special shapes, are satin-finished silver anodized or RAL 7035 powder painted and can be 30mm, 35mm or 38mm high. On request the profiles can be painted in more than 150 RAL colours.

The closing is automatic and is available with or without key. It is made of metallic and plastic mechanisms in order to assure an excellent and long lasting reliability.

The winding rolls are available in Ø 45 or 60 mm, in order to give a solution to room problems and are realized using steel springs, which grant the maximum toughness. The Ø45 solution is offered only by SRS.

The lateral guides, made in aluminium and in special shapes, and the lateral sealing gaskets make the roller shutter slide perfectly. Thanks to the upper, lower and internal sealing gaskets the metallic parts can't come in contact with each other. The roller shutters can be made in different dimensions, complying with the maximum recommended heights.

HIGHLIGHTS

- Reliability and resistance against external events
- Perfect sliding
- Balanced movements
- Easy mounting and use
- Easy to handle
- Space-saving
- Safety for the operator
- Customer-made solutions
- Different closing groups with different handles
- Winding rolls with two different diameters (depending on the shutters dimensions) for maximum toughness, reliability and space-saving
- Easy mounting on the vehicle body
- Centering of the lateral guide profiles on demand
- Different lateral guide profiles available for better fitting in different chassis
- Powder coated painting for the best external appearance
- Different available accessories:
 - Electromagnetic switches 12V 2c and 24V 2c
 - Magnet with plate
 - Door opening with standard, neon or led lights
 - Remote controls and electric shutters 12V, 24V or 230v
- Personalized customer's LOGO
- Quick delivery terms
- Spare parts always available
- Experience and assistance to the customer



FROM OFFER TO DELIVERY



KNOW HOW

The company uses the last and state of the art solutions for the manufacturing, including the extrusion of the profiles, the moulding of the details, the packing and the delivery.

QUALITY

All the production phases are monitored by qualified personnel that constantly check the manufacturing and characteristics of the final products.

CUSTOMERS RELATIONSHIP

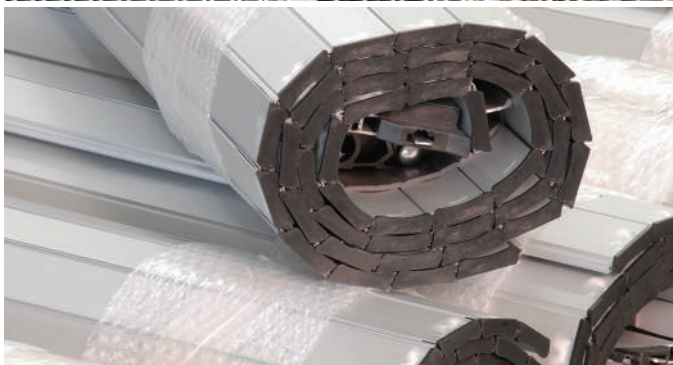
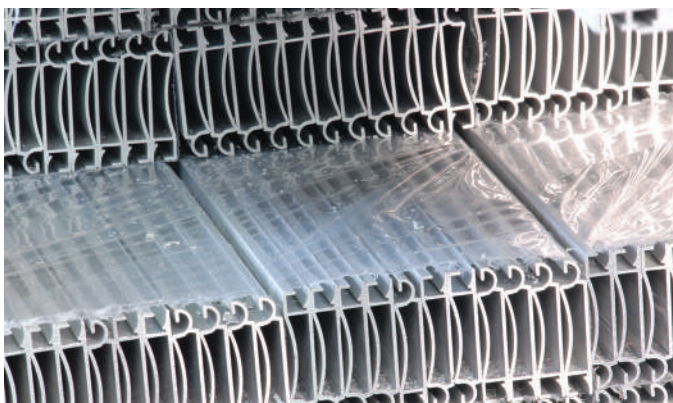
Our staff is always at the customer disposal, for requests, technical advices and help, in order to find always new and better solutions for the mounting, by taking advantage of the customers' suggestions and help.

PERSONALIZATION

On demand the roller shutters can be personalized with the customer's LOGO or with the name of the company.

AVAILABILITY AND QUICK DELIVERY TERMS

SRS offers to the customer availability and quickness in offer, order and delivery. All the spare parts are available.



SRS TOP

The SRS TOP roller shutters can be mounted on many different types of firefighting, emergency, industrial and special vehicles. They are medium-sized roller shutters that are rolled up by a 45ø roller.



SRS TOP



The aluminium roller shutter mod. TOP is assembled with profiles H30, H38 or H35, is realized with the required heights in extruded shapes and special characteristics. It can be used for the main compartments, in substitution to troublesome leaf-doors. Usually the roller shutters are delivered silver anodized or RAL 7035 painted, or on demand painted in different RAL colours.

The space-saving TOP shutters have a special wrapping roll Ø45 or Ø60, pre-set in accordance to the shutters dimensions.

The roller shutter will be delivered divided into parts, which can be easily assembled:

- 1 pre-assembled shutter complete with closing system with or without key
 - 1 pair of vertical guides
 - 1 pre-set wrapping roll
 - 1 box with accessories
- + **Required optionals**

MAX. RECOMMENDED DIMENSIONS		Weight of roller shutter for 1m ²
Max. recommended area	4 m ²	H30 = 13Kg
Width max.	2200 mm	H35 = 12Kg
Height max.	2200 mm	H38 = 11Kg
Width min.	450 mm	



CLOSING SYSTEMS



T2 closing system with or without key. As optional it can be supplied with grip profile.



T3 closing system with or without key. It is supplied with grip profile.

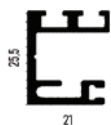


T5 (Tribarlock) closing system with or without key. It is supplied with grip profile.

Below number of blocks based on shutters dimensions

- For shutter w 240 to w 450 mm (1 block)
- For shutter w 451 to w 1200 mm (2 blocks)
- For shutter w 1201 to w 1700 mm (3 blocks)
- For shutter w 1701 to w 2500 mm (4 blocks)
- For shutter w 2501 to w 2800 mm (5 blocks)

AVAILABLE GUIDE PROFILES



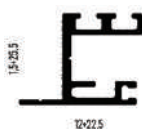
MP1



MP2



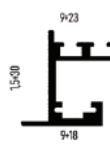
MP4 (1 and 2 rubbers)



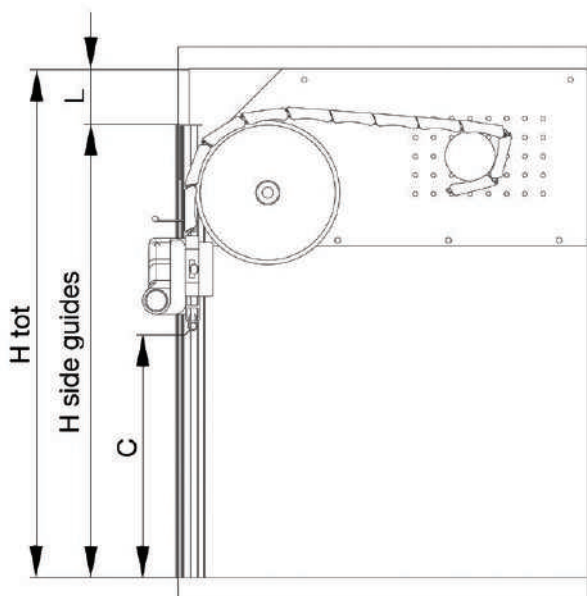
MP5



MP6



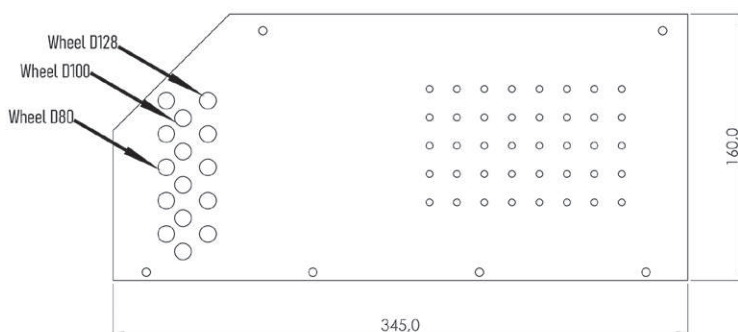
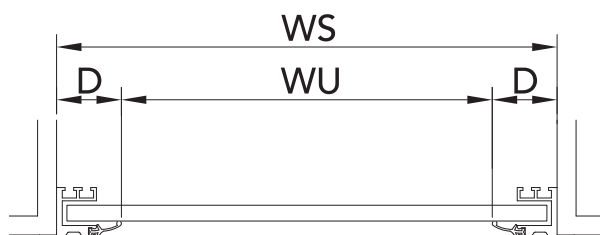
MP7



MEASUREMENTS

H tot	Total height
H guides	Side guides height
L	Sliding room
C	Light height
WU	Light width
WS	Total width
D	Guide and gasket edge

FIXING PLATE - dimensions and rows for the wheel diameter.



SRS TOP READY



The aluminium roller shutter mod. TOP READY is assembled with profiles H30 or H38, is realized with the required heights in extruded shapes and special characteristics. It can be used for the main compartments, in substitution to troublesome leaf-doors. Usually, the roller shutters are delivered silver anodized or RAL 7035 painted, or on demand painted in different RAL colours. The space-saving TOP READY shutters have a special wrapping roll Ø45, pre-set in accordance to the shutters dimensions.

The roller shutter will be delivered in a single kit composed by:

- pre-assembled kit: 1 shutter complete with closing system with or without key, 1 roll, 2 plates, 2 groups of wheel,
 - 1 pair of vertical guides
 - 1 box with accessories
- + Required optionals**

MAX. RECOMMENDED DIMENSIONS		Weight of roller shutter for 1m ²
Max. recommended area	4 m ²	H30 = 13Kg
Width max.	2200 mm	
Height max.	2200 mm	H38 = 11Kg
Width min.	450 mm	



CLOSING SYSTEMS



T2 closing system with or without key. As optional it can be supplied with grip profile.



T3 closing system with or without key. It is supplied with grip profile.



T5 (Tribarlock) closing system with or without key. It is supplied with grip profile.

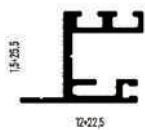
Below number of blocks based on shutters dimensions

- For shutter w 240 to w 450 mm (1 block)
- For shutter w 451 to w 1200 mm (2 blocks)
- For shutter w 1201 to w 1700 mm (3 blocks)
- For shutter w 1701 to w 2500 mm (4 blocks)
- For shutter w 2501 to w 2800 mm (5 blocks)

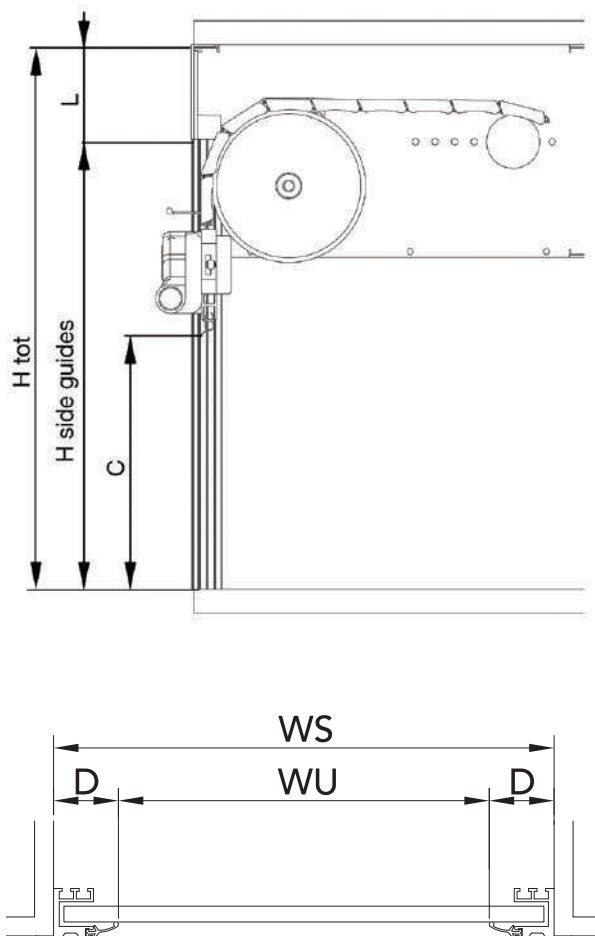
AVAILABLE GUIDE PROFILES



MP4 (1 rubber)

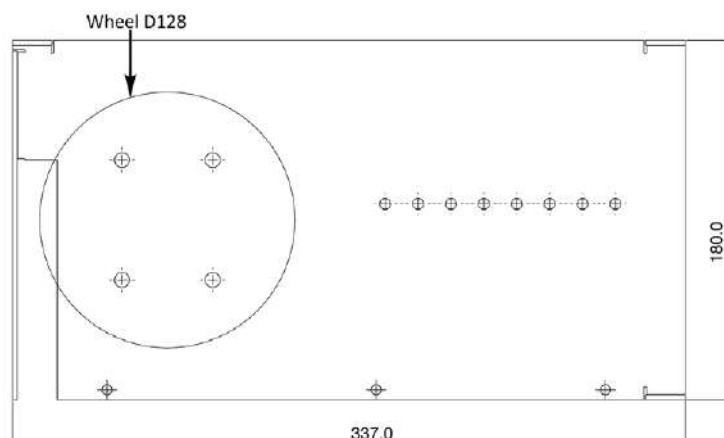
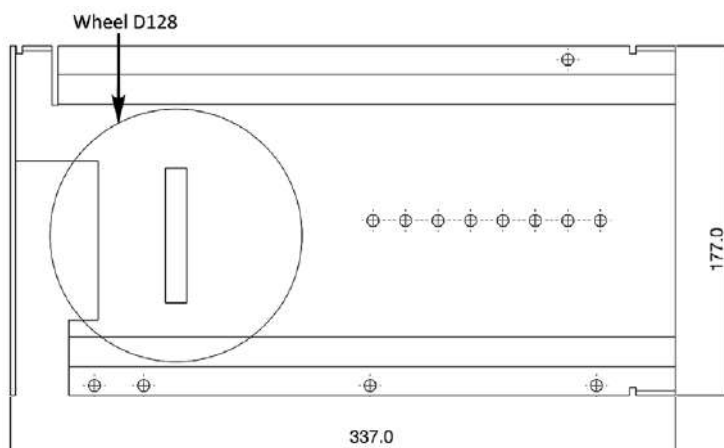


MP5



Fixing plate for MP4 and MP5

***NOTE:** In order to produce this shutter, the compartment must have precise dimensions because the tolerance is low, almost zero. A 3D or 2D drawing is valuable.



MEASUREMENTS

H tot	Total height
H guides	Side guides height
L	Sliding room
C	Light height
WU	Light width
WS	Total width
D	Guide and gasket edge

SRS TOP XL



The aluminium roller shutter mod. TOP XL is assembled with profile H38, is realized with the required heights in extruded shapes and special characteristics. It can be used for the main compartments, in substitution to the troublesome leaf-doors. Usually, the roller shutters are delivered silver anodized or RAL 7035 painted, or on demand painted in different RAL colours. The space-saving TOP shutters have a special wrapping roll Ø60, pre-set in accordance to the shutters dimensions.

The TOP XL shutters are realized for big areas, but are also a good solution for areas until 5m².

They are very strong and have an increased closing part, wrapping roll and a special hooking system. They are mostly required for commercial and distribution vehicles.

The roller shutter will be delivered divided into parts, which can be easy assembled:

- 1 pre-assembled shutter complete with closing system with or without key
- 1 pair of vertical guides
- 1 pre-set wrapping roll
- 1 box with accessories

+ **Required optionals**

MAX. RECOMMENDED DIMENSIONS		Weight of roller shutter for 1m ²
Max. recommended area	7m ²	H38 = 11Kg
Width max.	2900 mm	
Height max.	2500 mm	
Width min.	1000 mm	

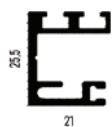


CLOSING SYSTEMS



T4 closing system with or without key.

AVAILABLE GUIDE PROFILES



MP1



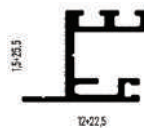
MP2



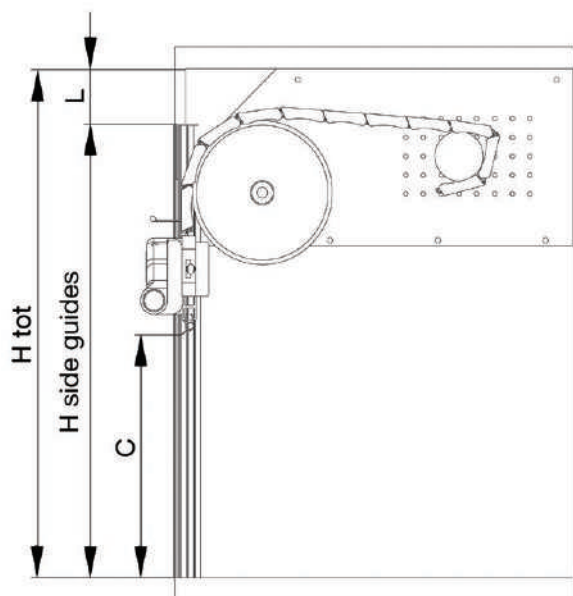
MP4 1 rubber



MP4 2 rubbers



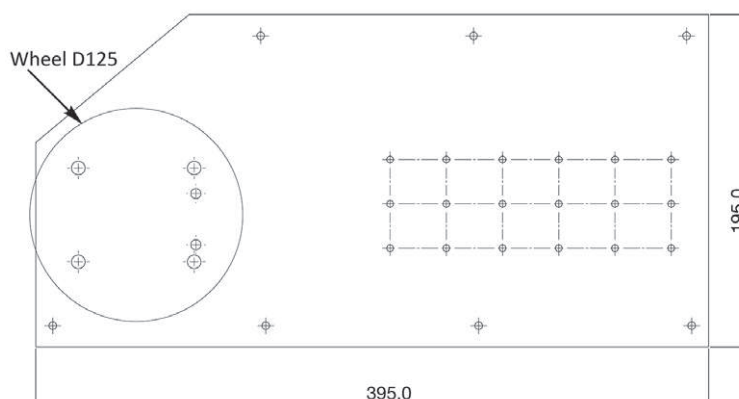
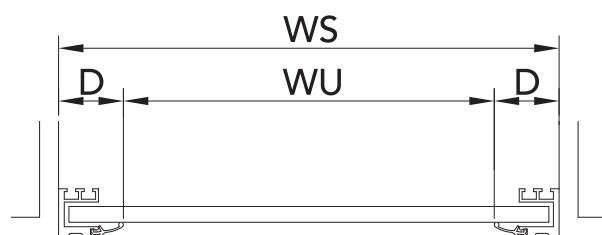
MP5



MEASUREMENTS

H tot	Total height
H guides	Side guides height
L	Sliding room
C	Light height
WU	Light width
WS	Total width
D	Guide and gasket edge

FIXING PLATE - dimensions and rows for the wheel diameter.



SRS TOP



SRS TOP READY



SRS TOP XL



SRS TOP-E

The electric TOP E aluminium roller shutter is an innovation in the field of commercial, industrial and special vehicles.



SRS TOP-E



The electric TOP E aluminium roller shutter is assembled with profiles H38 silver anodized or RAL 7035 painted (other RAL on request) and designed for special applications and can be integrated with a motor for the winding. This solution is an innovation in the commercial, industrial and special vehicles industry.

The motor is available in standard version or with radio frequencies, different capacities, low consumptions, small dimensions, available in 12v -24v or 230v.

The roller shutter will be delivered divided into parts, which can be easy assembled:

- 1 pre-assembled shutter complete with closing system without locks
- 1 pair of vertical guides
- 1 box with accessories
- 1 winding roll
- 1 box with one motor, all the necessary accessories and mounting instructions for the motor

+ **Required optionals**

MAX. RECOMMENDED DIMENSIONS

Max. recommended area	8 m ²
Width max.	3000 mm
Height max.	2800 mm
Width min.	450 mm



CLOSING SYSTEMS FOR TOP-E WITH STANDARD MOTOR



E.T8 with recess handle
(Up to W =1800mm)



E.T9 with small grip profile

CLOSING SYSTEMS FOR TOP-E WITH TUBULAR MOTOR

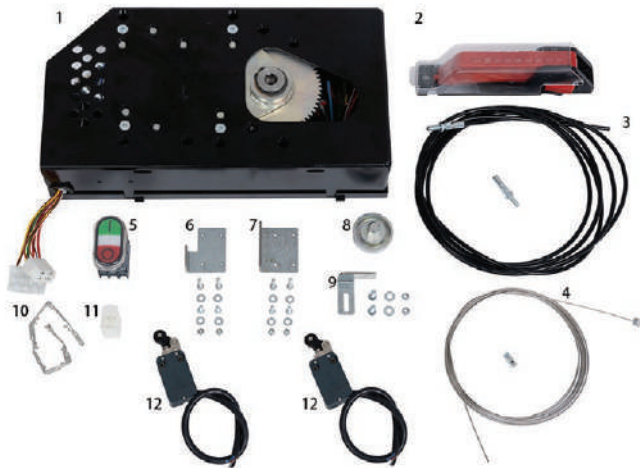
Only empty closing system.



STANDARD MOTOR 12V-24V

	12v NO RADIO	24v NO RADIO
Lifting capacity @20Nm	30kg	30kg
Emergency system	YES	YES
Remote control	NO	NO

TOP-E STANDARD MOTOR



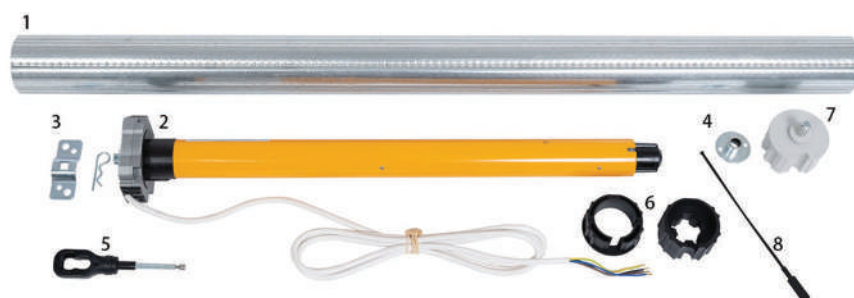
POSITION	DESCRIPTION
1	Motor + carter
2	Handle release
3	Cable release
4	Membrane
5	Button
6	Upper microswitch support
7	Lower microswitch support
8	Roller cap with hexagonal pin
9	Microswitch lever drive
10	PIN
11	Connector
12	Microswitch

TUBULAR MOTOR 12V-24V-230V

	12v	24v
Lifting capacity @20Nm	30kg	n.a
Lifting capacity @35Nm	n.a	55kg
Emergency system	YES	NO

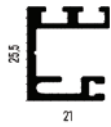
	230v NO RADIO	230V RADIO
Lifting capacity @30/50/80/100Nm	56/96/120/150 kg	56/96/120/150 kg
Emergency system	YES	YES
Wireless remote control + cover	NO	YES
Selector with key	YES	NO
Button	YES	NO

TOP-E TUBULAR MOTOR



POSITION	DESCRIPTION
1	Aluminum Roller BAT
2	Motor
3	Right roller support
4	Left roller support
5	Buttonhole
6	Adapters
7	Cap
8	PIN

AVAILABLE GUIDE PROFILES



MP1



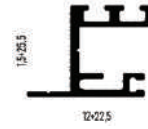
MP2



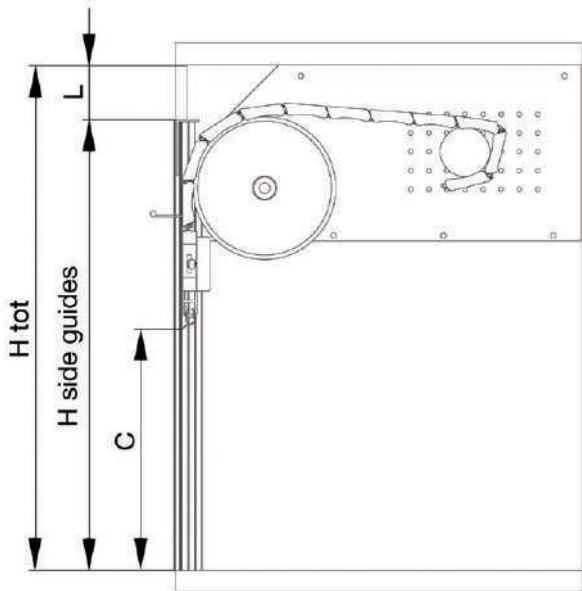
MP4 1 rubber



MP4 2 rubbers

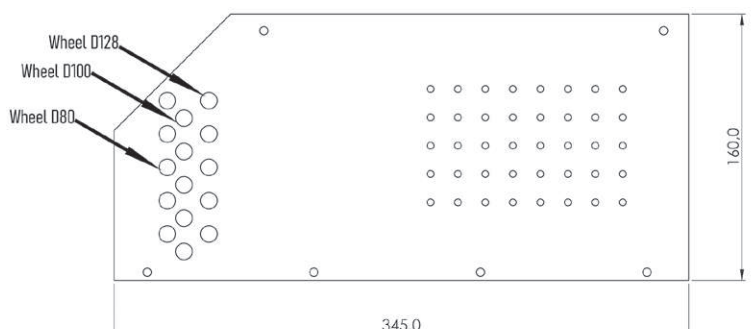
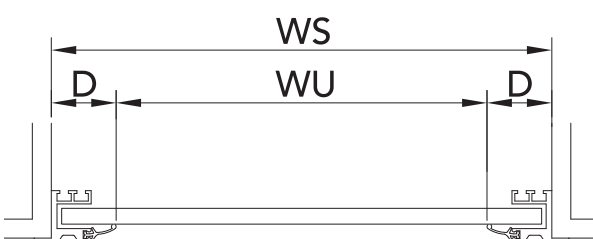


MP5



MEASUREMENTS	
H tot	Total height
H guides	Side guides height
L	Sliding room
C	Light height
WU	Light width
WS	Total width
D	Guide and gasket edge

FIXING PLATE - dimensions and rows for the wheel diameter.



SRS ECO



SRS ECO



The aluminium roller shutter model ECO is assembled with profiles H30 or H38, is realized with the required heights in extruded shapes and special characteristics. It can be used for medium compartments, in substitution to troublesome leaf-doors. Usually, the roller shutters are delivered silver anodized or RAL 7035 painted, or on demand painted in different RAL colours. The ECO has a sliding system that permits to make good use of the available space inside the vehicle. When open the shutter will lay flat horizontally under the roof and the eventual surplus length will lay vertically in the rear part. This sliding system is recommended for areas of max. 1m². It is a cheap and easy mounting solution, which anyway maintains the reliability and design standards of all SRS shutters.

The roller shutter will be delivered divided into parts, which can be easily assembled:

- 1 pre-assembled shutter complete with closing system with or without key
 - 1 pair of vertical guides
 - 1 pair of curves (entire or separate)
 - 2 eventual sliding extensions, to be put between the curves, when the curves are separate
 - 1 box with accessories
- + **Required optionals**

USEFUL AREA		Weight of roller shutter for 1m ²	
Max. recommended area	1 m ²	H30 = 13Kg	H38 = 11Kg



CLOSING SYSTEMS



T1 closing system with or without key. As optional it can be supplied with grip profile.



T2 closing system with or without key. As optional it can be supplied with grip profile.

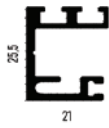


T3 closing system with or without key. It is supplied with grip profile.

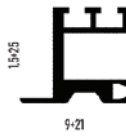


T5 (Tribarlock) closing system with or without key. It is supplied with grip profile.

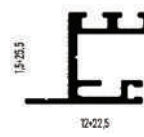
AVAILABLE GUIDE PROFILES



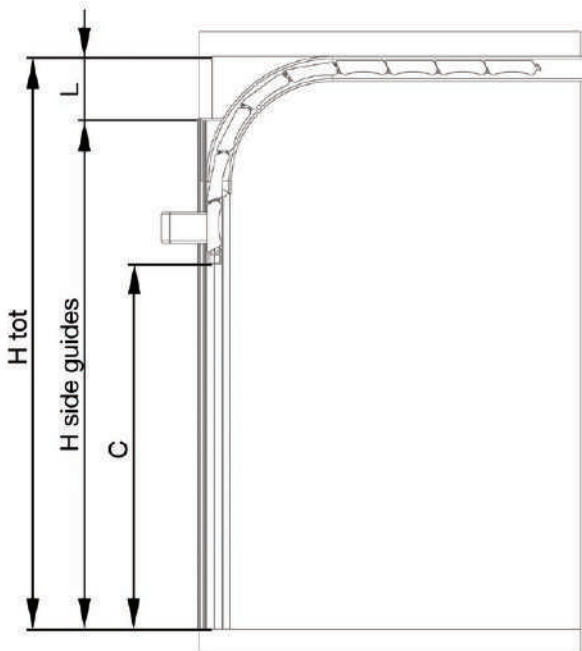
MP1



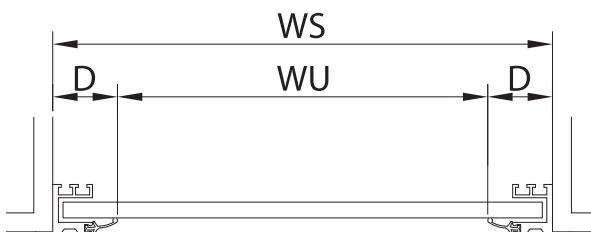
MP2



MP5



MEASUREMENTS	
H tot	Total height
H guides	Side guides height
L	Sliding room
C	Light height
WU	Light width
WS	Total width
D	Guide and gasket edge



SRS ECO PLUS



The aluminium roller shutter model ECO PLUS is assembled with profiles H30 or H38, is realized with the required heights in extruded shapes and special characteristics. It can be used for medium compartments, in substitution to troublesome leaf-doors. Usually, the roller shutters are delivered silver anodized or RAL 7035 painted, or on demand painted in different RAL colours.

The ECO PLUS shutters have a special wrapping roll Ø45, pre-set in accordance to the shutters dimensions and have special guides, as the ECO model. When open the shutter will lay flat horizontally under the roof and the eventual surplus length will lay vertically in the rear part.

This sliding system is recommended for areas of max. 1,5m². Its characteristics are reliability, quality and design.

The roller shutter will be delivered divided into parts, which can be easily assembled:

- 1 pre-assembled shutter complete with closing system with or without key
- 1 pair of vertical guides
- 1 pair of curves (entire or separate)
- 2 eventual sliding extensions, to be put between the curves, when the curves are separate
- 1 box with accessories

+ **Required optionals**

USEFUL AREA		Weight of roller shutter for 1m ²	
Max. recommended area	1,5 m ²	H30 = 13Kg	H38 = 11Kg



CLOSING SYSTEMS



T1 closing system with or without key. As optional it can be supplied with grip profile.



T2 closing system with or without key. As optional it can be supplied with grip profile.



T3 closing system with or without key. It is supplied with grip profile.



T5 (Tribarlock) closing system with or without key. It is supplied with grip profile.

AVAILABLE GUIDE PROFILES



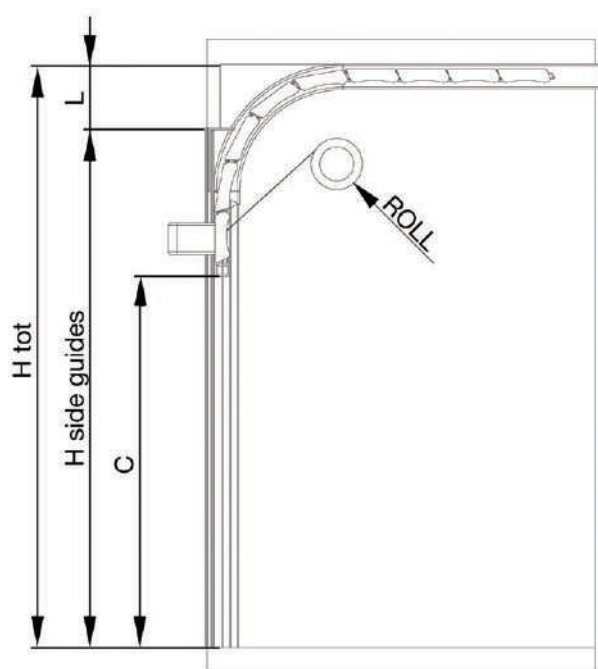
MP1



MP2

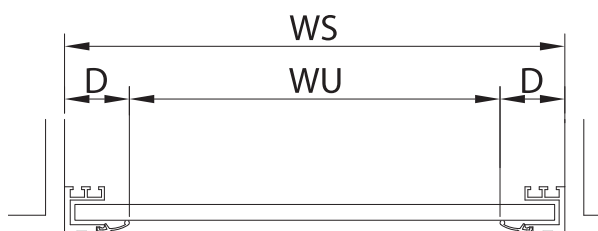


MP5



MEASUREMENTS

H tot	Total height
H guides	Side guides height
L	Sliding room
C	Light height
WU	Light width
WS	Total width
D	Guide and gasket edge



SRS ECO SIMPLY



The aluminium roller shutter model ECO SIMPLY is assembled with profiles H30 or H38, is realized with the required heights in extruded shapes and special characteristics. It can be used for medium compartments, in substitution to troublesome leaf-doors. Usually, the roller shutters are delivered silver anodized or RAL 7035 painted, or on demand painted in different RAL colours. The ECO SIMPLY has a sliding system that permits to make good use of the available space inside the vehicle. When open the shutter will lay flat horizontally under the roof and the eventual surplus length will lay vertically in the rear part. This sliding system is recommended for areas of max. 1m². It is a cheap and easy mounting solution, which anyway maintains the reliability and design standards of all SRS shutters.

The roller shutter will be delivered divided into parts, which can be easily assembled:

- 1 pre-assembled shutter complete with closing system with or without key
 - 1 pair of vertical guides
 - 1 pair of curves (entire or separate)
 - 2 eventual sliding extensions, to be put between the curves, when the curves are separate
 - 1 box with accessories
- + Required optionals**

USEFUL AREA		Weight of roller shutter for 1m ²
Max. recommended area	1 m ²	H30 = 13Kg H38 = 11Kg



CLOSING SYSTEMS



T1 closing system with or without key. As optional it can be supplied with grip profile.



T2 closing system with or without key. As optional it can be supplied with grip profile.

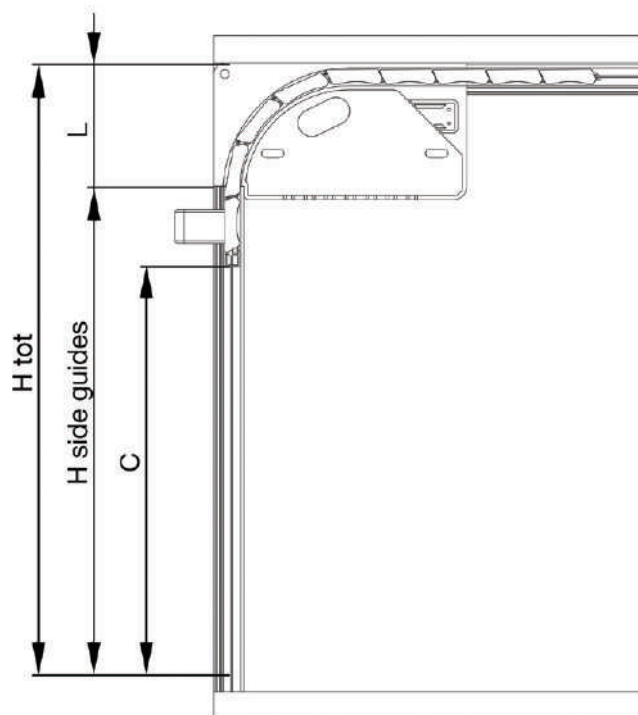
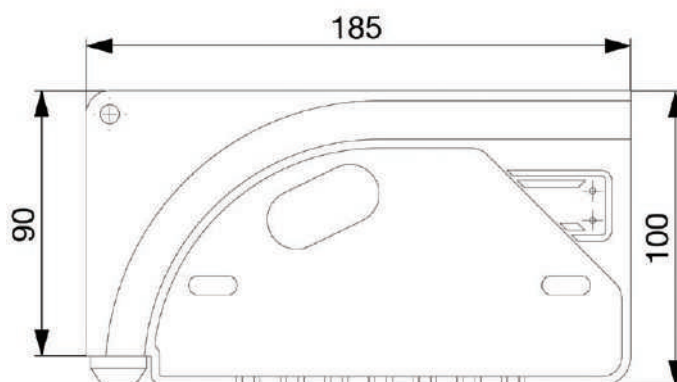
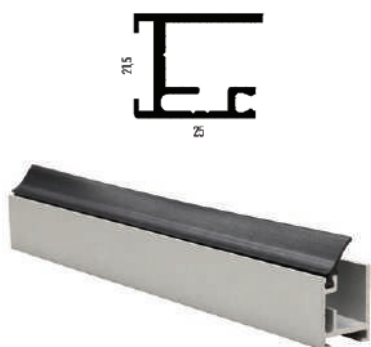


T3 closing system with or without key. It is supplied with grip profile.



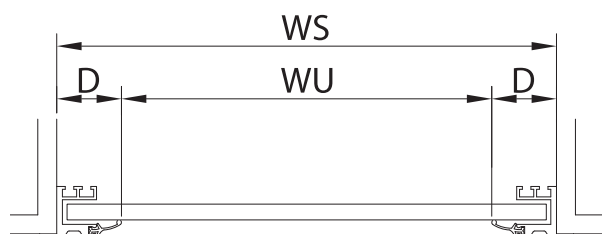
T5 (Tribarlock) closing system with or without key. It is supplied with grip profile.

AVAILABLE GUIDE PROFILES



MEASUREMENTS

H tot	Total height
H side guides	Side guides height
L	Sliding room
C	Light height
WU	Light width
WS	Total width
D	Guide and gasket edge



SRS ECO PLUS SIMPLY



The aluminium roller shutter model ECO PLUS SIMPLY is assembled with profiles H30 or H38, is realized with the required heights in extruded shapes and special characteristics. It can be used for medium compartments, in substitution to troublesome leaf-doors. Usually, the roller shutters are delivered silver anodized or RAL 7035 painted, or on demand painted in different RAL colours.

The ECO PLUS SIMPLY shutters have a special wrapping roll Ø45, pre-set in accordance to the shutters dimensions and have special guides, as the as the ECO SIMPLY model. When open the shutter will lay flat horizontally under the roof and the eventual surplus length will lay vertically in the rear part.

This sliding system is recommended for areas of max. 1,5m². Its characteristics are reliability, quality and design.

The roller shutter will be delivered divided into parts, which can be easily assembled:

- 1 pre-assembled shutter complete with closing system with or without key
- 1 pair of vertical guides
- 1 pair of curves (entire or separate)
- 2 eventual sliding extensions, to be put between the curves, when the curves are separate
- 1 box with accessories

+ **Required optionals**

USEFUL AREA		Weight of roller shutter for 1m ²	
Max. recommended area	1,5 m ²	H30 = 13Kg	H38 = 11Kg



CLOSING SYSTEMS



T1 closing system with or without key. As optional it can be supplied with grip profile.



T2 closing system with or without key. As optional it can be supplied with grip profile.

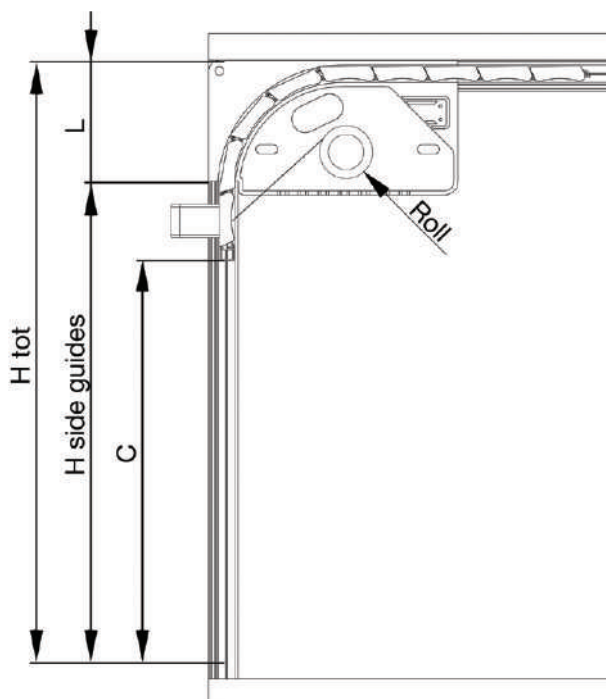
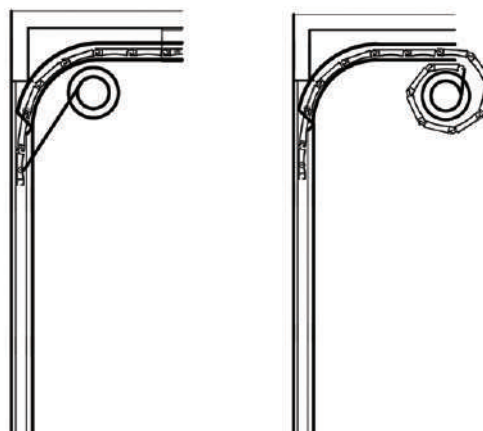
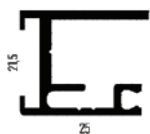


T3 closing system with or without key. It is supplied with grip profile.



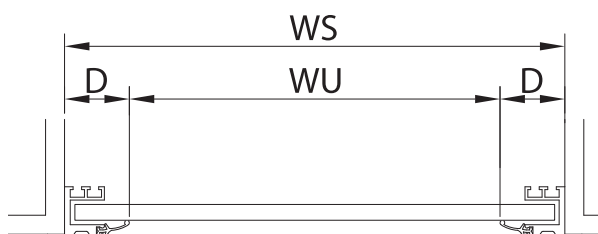
T5 (Tribarlock) closing system with or without key. It is supplied with grip profile.

AVAILABLE GUIDE PROFILES



MEASUREMENTS

H tot	Total height
H guides	Side guides height
L	Sliding room
C	Light height
WU	Light width
WS	Total width
D	Guide and gasket edge



SEIRBHÍS DÓITEÁIN ÚIBH FHAILÍ



FINISHING



The high quality profiles, with special shape, can be standard silver satin-finished, anodized or powder-painted in RAL 7035 and can have heights from 30mm to 38mm. On demand the painting can be made in more than 150 RAL colours.



CLOSING SYSTEMS

T1

Designed for: ECO

Available with or without key



T2

Designed for: ECO, ECO PLUS, TOP

Available with or without key



T2 GRIP

Designed for: ECO, ECO PLUS, TOP

Available with or without key



T3

Designed for: ECO, ECO PLUS, TOP

Available with or without key



T5 TRIBARLOCK

Designed for: ECO, ECO PLUS, TOP

Available with or without key. It can be supplied in various versions, for example lateral key (standard), central key or double key



T4

Designed for: TOP XL

Available with or without key



ROLLS



The aluminium extruded winding rolls are available in Ø45 or Ø60, in order to find a good solution for every room problem and are made with steel springs for the maximum toughness.

ATTENTION: PRE-SET WRAPPING ROLL

D45

In order to mount the roll, insert it into the proper supports, in the correct position, as indicated in the label on the roll itself.

The black band pointed out on the paper (right head-side of the roll) indicates the safety PIN position.

Fix the straps on the internal part of the last profile with rubber (only for ECO PLUS)

Place the roll with the safety pin (covered with a protection paper) so that it is positioned under the roll. Remove the protection paper, so that the safety pin will stick out of the roll.

Turn it manually in the loading direction and release it immediately. The loaded roll will wrap the straps and roll the shutter.

D60

In order to mount the wrapping roll, place it into the proper supports in the correct position, like indicated (right side, seen from outside the vehicle)

The black band pointed out on the paper (right head-side of the roll) indicates the safety PIN position.

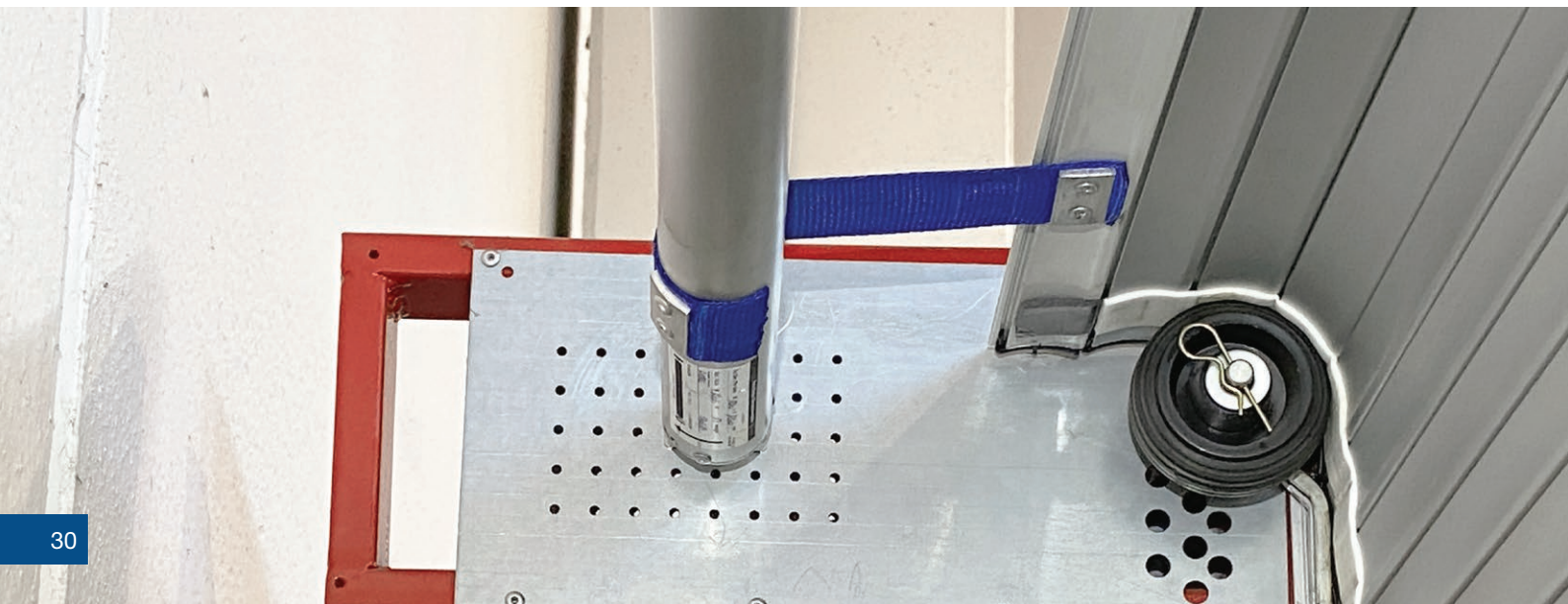
Place the roll with the safety pin (covered with a protection paper) so that it is positioned under the roll. Remove the protection paper, the safety pin will stick out of the roll.

DON'T REMOVE THE SAFETY PIN UNTIL THE COMPLETE ROLLER SHUTTER HAS BEEN MOUNTED.

In case the roll gets unloaded before the mounting has been completed, load it again following the loading direction and number of turns indicated on the roll, block it and insert the safety pin.

Repeat again all the previous points.

Don't load the roll in the wrong direction, as it will cause the irreparably damage of the roll (that has to be replaced).

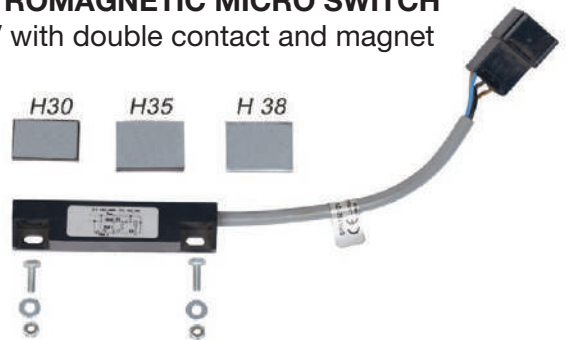


ACCESSORIES

There are many different available types of accessories.



ELECTROMAGNETIC MICRO SWITCH
12/24V with double contact and magnet



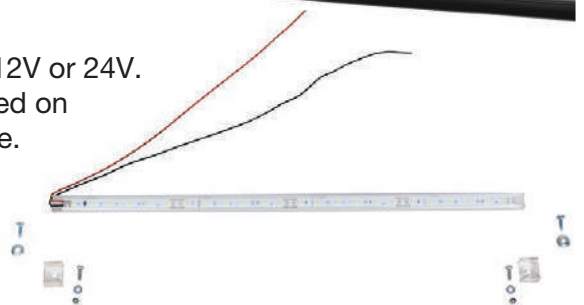
PULLING BELT

Pulling belt can be supplied customized according to roller shutters dimensions and it can be in standard or elastic version.



LED

LED can be supplied in 12V or 24V.
Usually it is mounted on the guide profile.

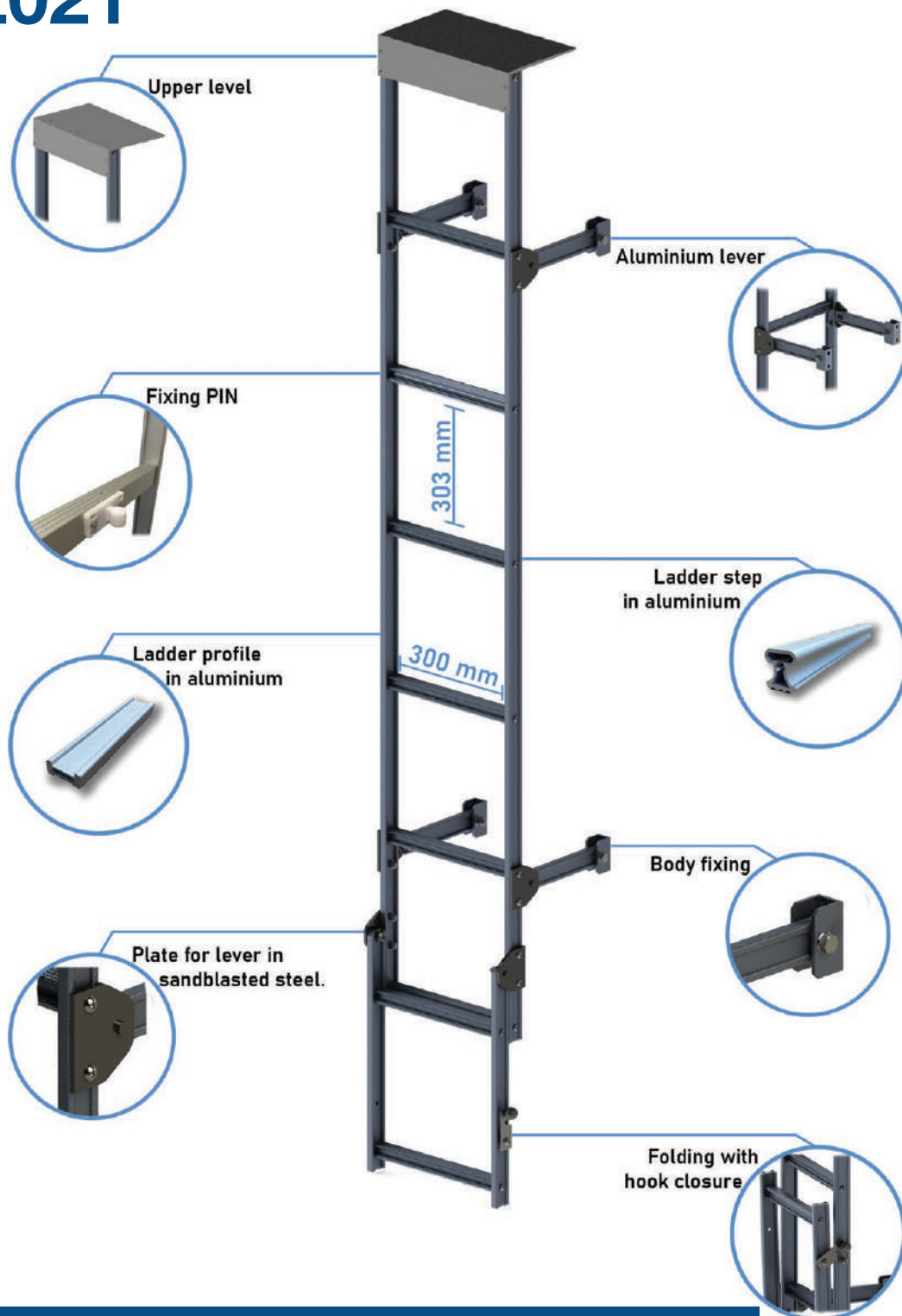


ELECTRIC LOCKING MECHANISM



PARALLEL UP & DOWN LADDER

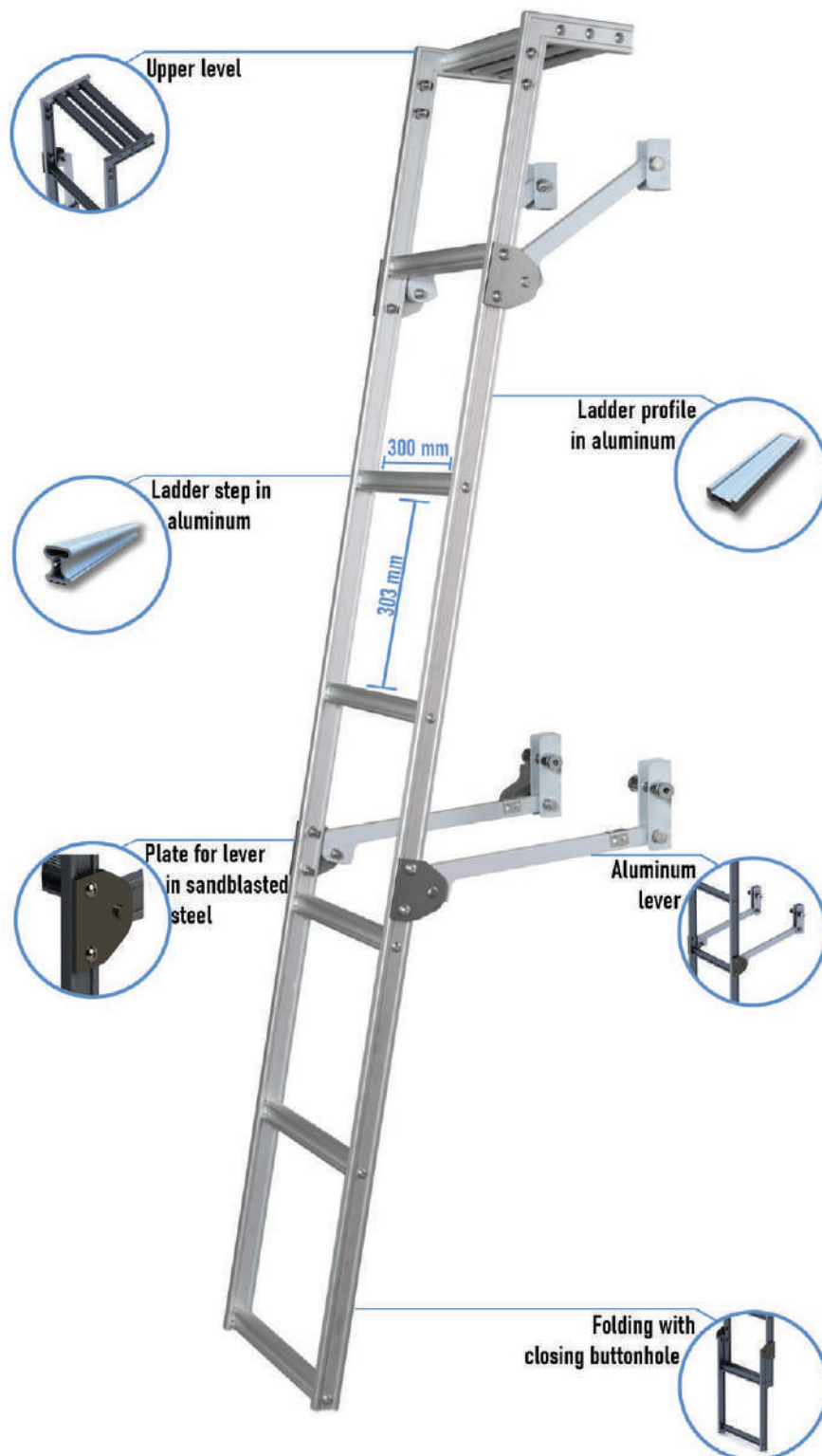
MY 2021



TECHNICAL FEATURES

Profile	Aluminum alloy EN AW 6060
Plate for lever	Sandblasted steel
Upper level	190x322mm; Thickness 5 mm; Non slip cover; Painted RAL 9006 <i>On request it can be customized with customer's logo</i>
Colour	Silver anodized
Payload	120 kg

TILTED UP & DOWN LADDER



TECHNICAL FEATURES

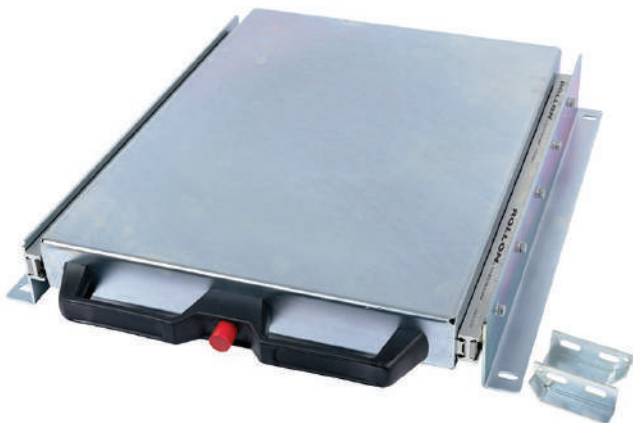
Profile	Aluminum alloy EN AW 6060
Plate for lever	Sandblasted steel
Upper level	160 x 322mm; Silver anodized
Colour	Silver anodized
Payload	120 kg



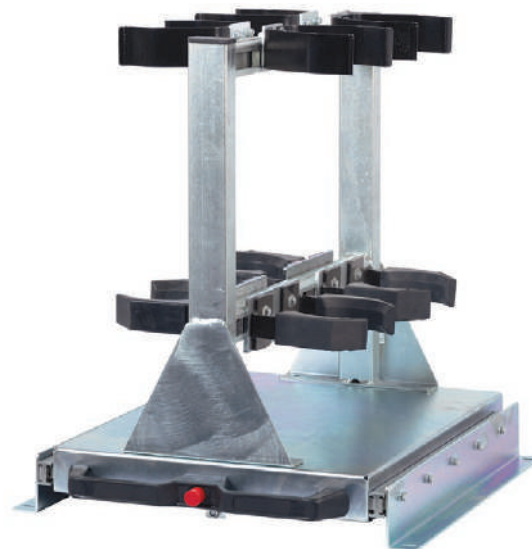
ZINC COATED SLIDE

The extractable SRS slides can be of various sizes and for various applications. They can be used for:

- Cylinder holder
- Bring fire extinguishers
- Generator holder
- Pump holder
- Self-contained breathing apparatus
- Door welders
- Compressor holder
- Bring materials/equipment in general



410x850 6 positions possible
partial extraction 540 mm



410x850 4 positions total extraction

The most frequent dimensions available in stock

- **700 x 470** mm total extraction
- **750 x 540** mm total extraction
- **410 x 850** mm without castle or castle 6 total extension or partial extension
- **410 x 540** mm without castle or castle 4 full extension

* The dimensions shown refer to the support plate (first measurement on the handle side)

The slides for cylinder holders, fire extinguisher holders and breathing apparatus holders are supplied with a castle while the others only with the plate support.

It is also possible to create slides on specific customer requests.

Available on request only the castle as a fixed positioning or slide opening/closing kit for applications on slide bodies.



ALUMINUM DRAWERS



The ribbed extruded drawers in silver anodized aluminum are assembled with the bottom part in almond-shaped aluminum and complete with a locking system using the double-grip handle with the button with or without key.

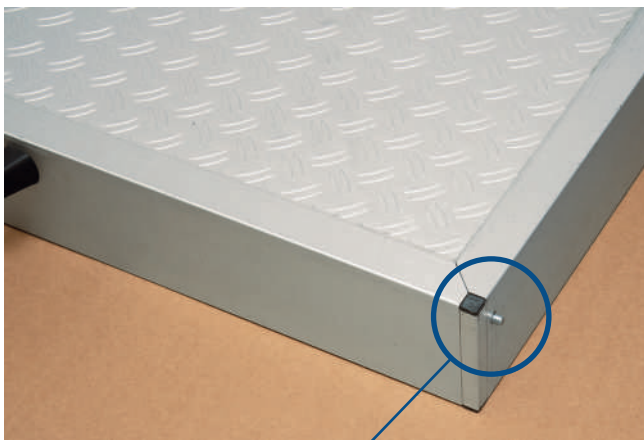
The drawer is custom made. The customer can decide the width and the profundity of the drawer while the height of the profile shoulder is fixed at 120 mm.



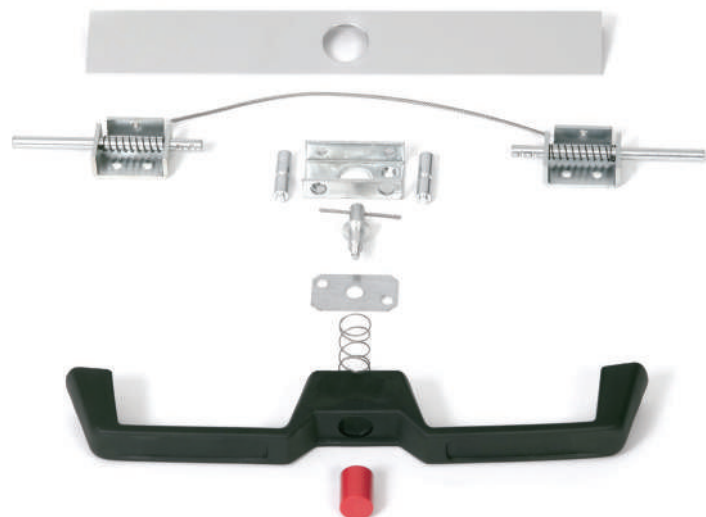
Width: Minimum 600 mm and maximum 1500 mm

Profundity: Minimum 450 mm and maximum 1000 mm

The drawers can be fixed to the main sliding systems available on the market



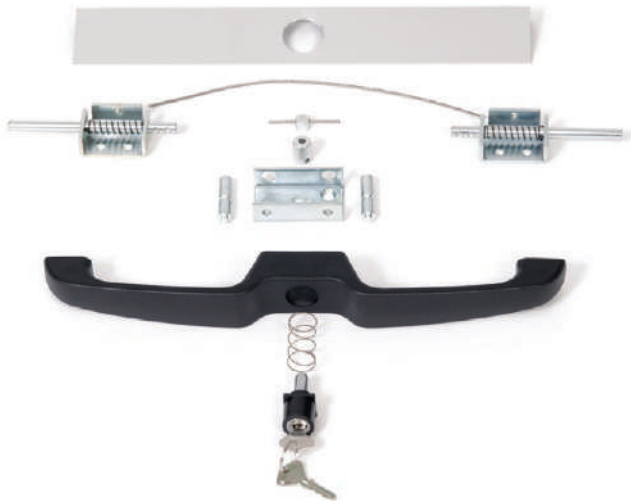
The drawer side closing system



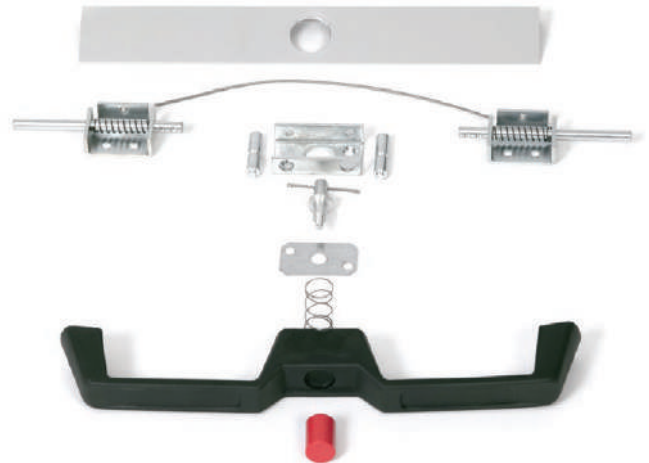
DRAWER LOCKING KIT

The drawer locking kit can be applied to the drawer bodies made by customers.

Locking kit with key



Locking kit without key, with black or red button



SLIDING AND TILTING DRAWING SYSTEM

Our drawers can be supplied with an extraction system on galvanized steel guides with polypropylene bands.

Support, sliding and weight unload wheels



Runner for correct support, sliding, coupling and overturning



Taking advantage of its weight and its contents, the drawer slides with its runners on the PPL bands, supported by galvanized steel pins with Nylon wheels. It can be extracted and hooked securely at the end of the line, overturning on itself and leaning on the top and shelf of its internal compartment in which it is inserted.

BOX

Serena Production can supply customized boxes in different types of materials which could be rough or painted aluminum, smooth or flowered stainless steel, rough or painted iron.



LOCKING MECHANISM FOR TRUCK DOOR

The locking mechanism can be supplied with or without key.



HOSE DIVIDER

The hose divider can be supplied in two versions L.465x500H mm (standard version) and on request L.510x550H mm. Customers can decide the number of spaces and the size of each space will be defined according to the coupling model.



HANDRAILS

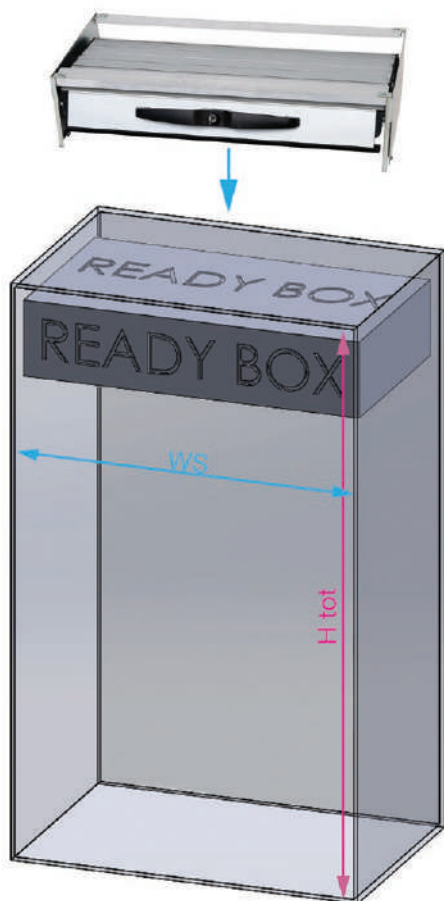
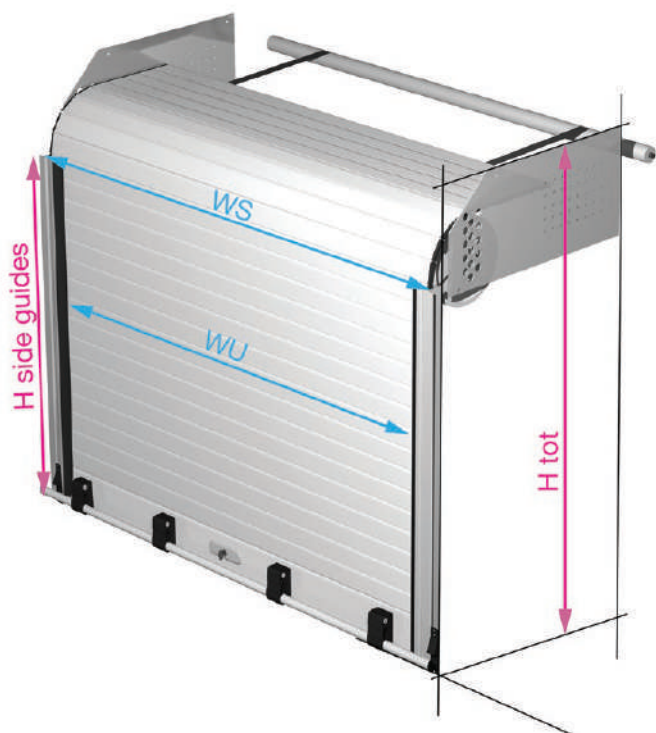
The handrails can be supplied customized according to the customer's needs







SRS TOP

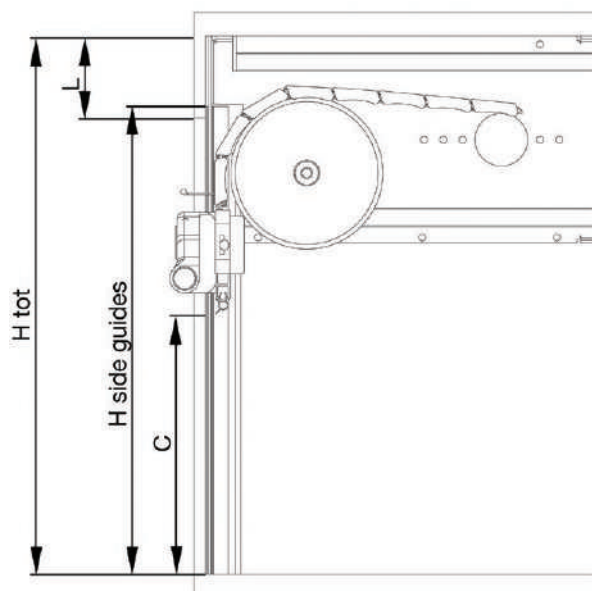


MEASURING

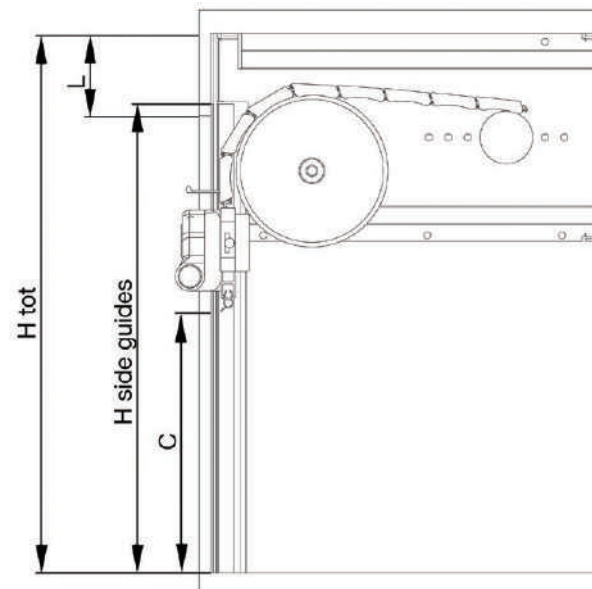
MEASUREMENTS

H tot	Total height
H guides	Side guides height
L	Sliding room
C	Light height
WU	Light width
WS	Total width

SRS TOP READY MP4



SRS TOP READY MP5

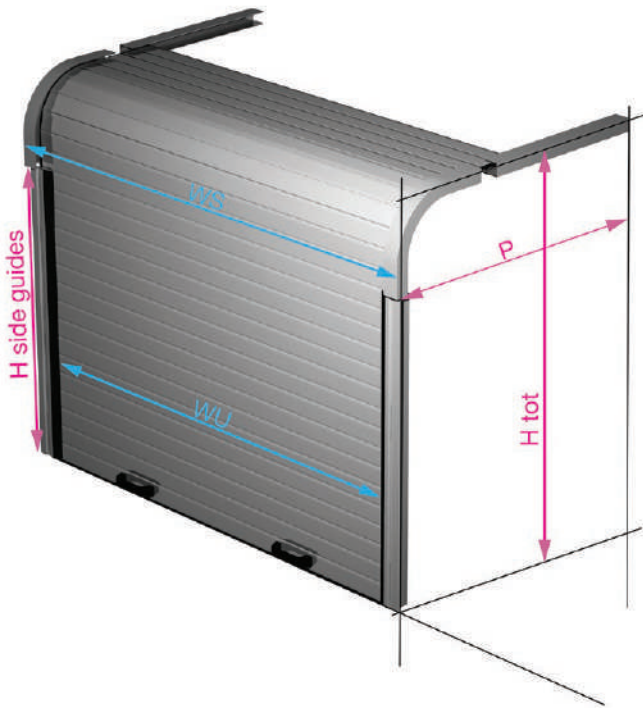


View mounting instruction video MP4

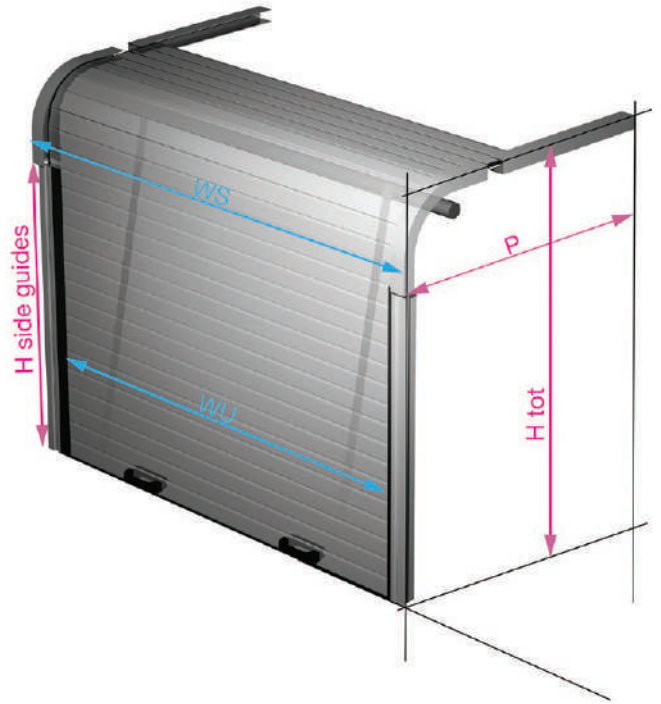


View mounting instruction video MP5

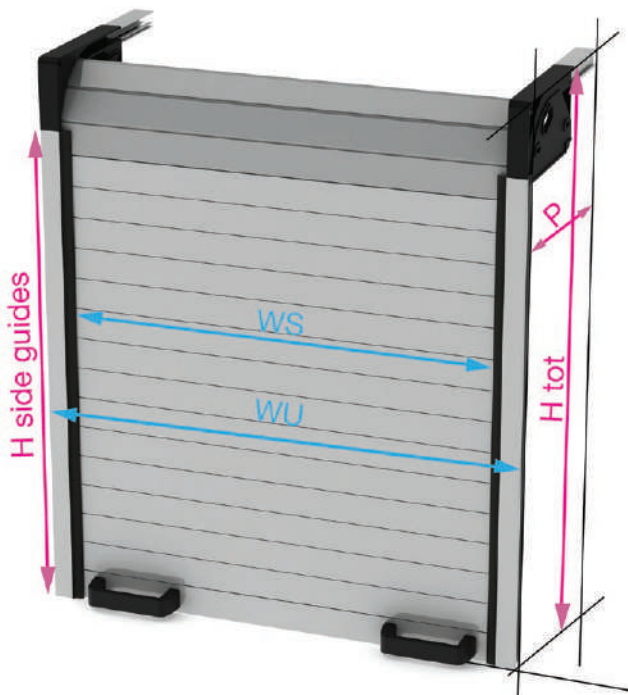
SRS ECO



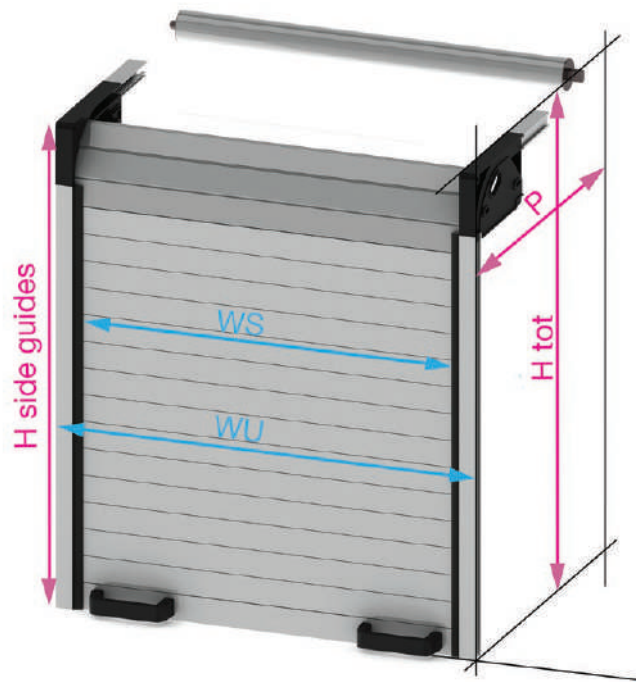
SRS ECO PLUS



SRS ECO SIMPLY



SRS ECO SIMPLY PLUS



SRS TOP
order form



SRS TOP-E
order form



SRS ECO
order form



SRS ECO SIMPLY
order form



SRS[®]
ROLLER SHUTTERS

Via B. Castelli, 44-46-48
25010 Montirone (BS) Italia
Tel. +39 030-2677496
Fax +39 030-2170480

www.serenaproduction.it
www.srs-shutters.com

Email: sales@srs-shutters.com
info@serenaproduction.it

 @Serenaproduction

 /company/serena-production/

FIRECO SRL
Via E. Fermi, 56
25064 GUSSAGO (BS)
IT - ITALIA
Tel.: +39 030 3733916
Fax : +39 030 3733762
www.fireco.eu
info@fireco.it

FIRECO SYSTEMS N.V.
Diestersteenweg 142
3510 KERMT
BE - BELGIUM
Tel.: +32 11 851602
Fax : +32 11 851604
www.fireco.be
info@fireco.be

HISPAMAST, S.L.
C/Estaño, 30
28510 Campo Real
ES - ESPAÑA
Tel.: +34 918 733733
Fax: +34 918 765141
www.hispamast.com
info@hispamast.com

FIRECO ASIA
No. 9, Jalan TP 3/2 Taman
Perindustrian UEP
47620 SUBANG JAYA - MALAYSIA (MY)
Tel.: +603 8011 2300
Fax: +603 8812367
www.fireco-asia.com
gc@fireco-asia.com

EUROMAST S.A.R.L.
Savoie hexapole,
101 Rue Louis Armand, 73420 Mery
FRANCE
Tel.: +33 4 79349215
Fax: +33 4 793492 16
www.euromast.fr
fireco@euromast.fr

Fireco US
1740 N. Gateway Boulevard
Fresno, California 93727
USA
Tel.: +1 559 353-2823
Fax: +1 559 255-7012
info@firecousa.com
www.firecousa.com