

SRS TOP-E

The electric TOP E aluminium roller shutter is an innovation in the field of commercial, industrial and special vehicles.



SRS TOP-E



The electric TOP E aluminium roller shutter is assembled with profiles H38 silver anodized or RAL 7035 painted (other RAL on request) and designed for special applications and can be integrated with a motor for the winding. This solution is an innovation in the commercial, industrial and special vehicles industry.

The motor is available in standard version or with radio frequencies, different capacities, low consumptions, small dimensions, available in 12v -24v or 230v.

The roller shutter will be delivered divided into parts, which can be easy assembled:

- 1 pre-assembled shutter complete with closing system without locks
- 1 pair of vertical guides
- 1 box with accessories
- 1 winding roll
- 1 box with one motor, all the necessary accessories and mounting instructions for the motor

+ **Required optionals**

MAX. RECOMMENDED DIMENSIONS

Max. recommended area	8 m ²
Width max.	3000 mm
Height max.	2800 mm
Width min.	450 mm



CLOSING SYSTEMS FOR TOP-E WITH STANDARD MOTOR



E.T8 with recess handle
(Up to W =1800mm)



E.T9 with small grip profile

CLOSING SYSTEMS FOR TOP-E WITH TUBULAR MOTOR

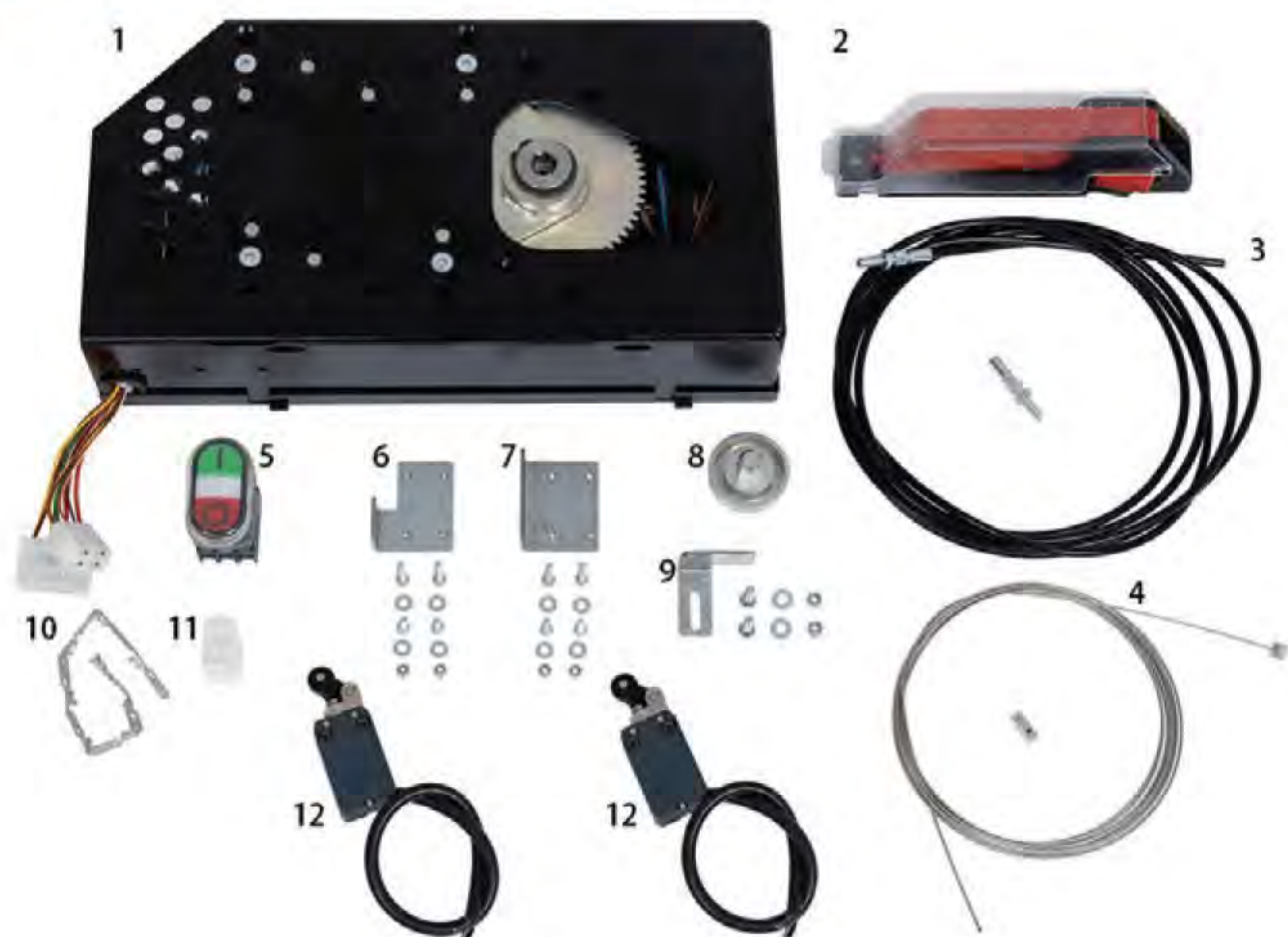
Only empty closing system.



STANDARD MOTOR 12V-24V

	12v NO RADIO	24v NO RADIO
Lifting capacity @20Nm	30kg	30kg
Emergency system	YES	YES
Remote control	NO	NO

TOP-E STANDARD MOTOR



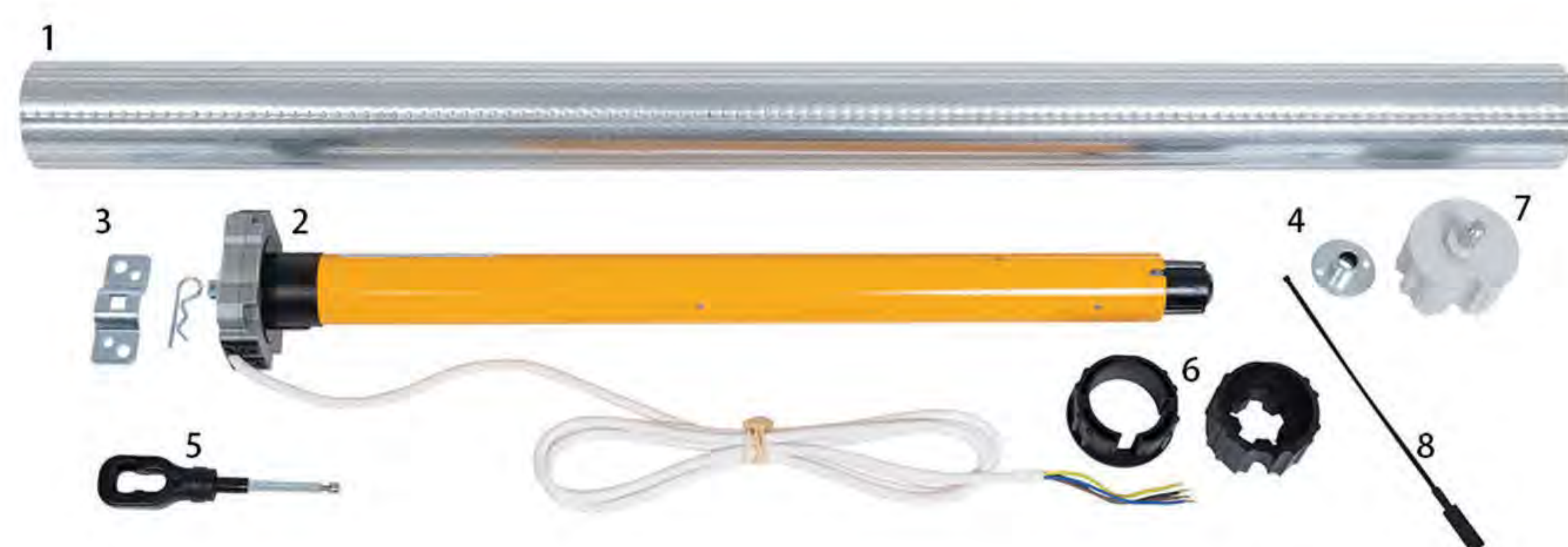
POSITION	DESCRIPTION
1	Motor + carter
2	Handle release
3	Cable release
4	Membrane
5	Button
6	Upper microswitch support
7	Lower microswitch support
8	Roller cap with hexagonal pin
9	Microswitch lever drive
10	PIN
11	Connector
12	Microswitch

TUBULAR MOTOR 12V-24V-230V

	12v	24v
Lifting capacity @20Nm	30kg	n.a
Lifting capacity @35Nm	n.a	55kg
Emergency system	YES	NO

	230v NO RADIO	230V RADIO
Lifting capacity @30/50/80/100Nm	56/96/120/150 kg	56/96/120/150 kg
Emergency system	YES	YES
Wireless remote control + cover	NO	YES
Selector with key	YES	NO
Button	YES	NO

TOP-E TUBULAR MOTOR

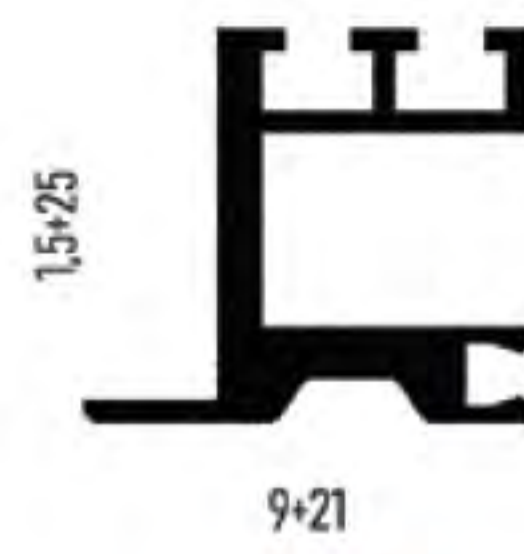


POSITION	DESCRIPTION
1	Aluminum Roller BAT
2	Motor
3	Right roller support
4	Left roller support
5	Buttonhole
6	Adapters
7	Cap
8	PIN

AVAILABLE GUIDE PROFILES



MP1



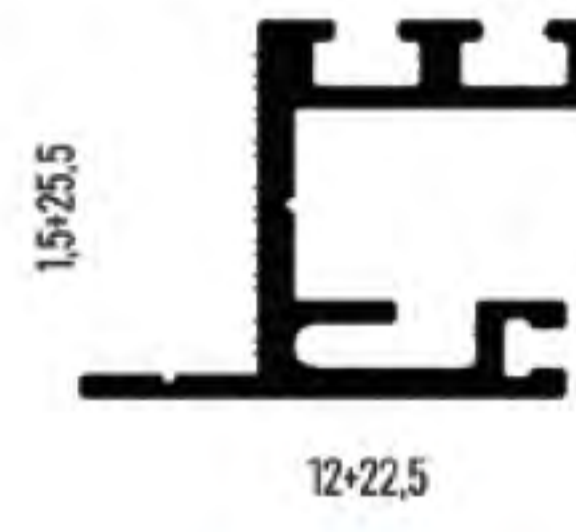
MP2



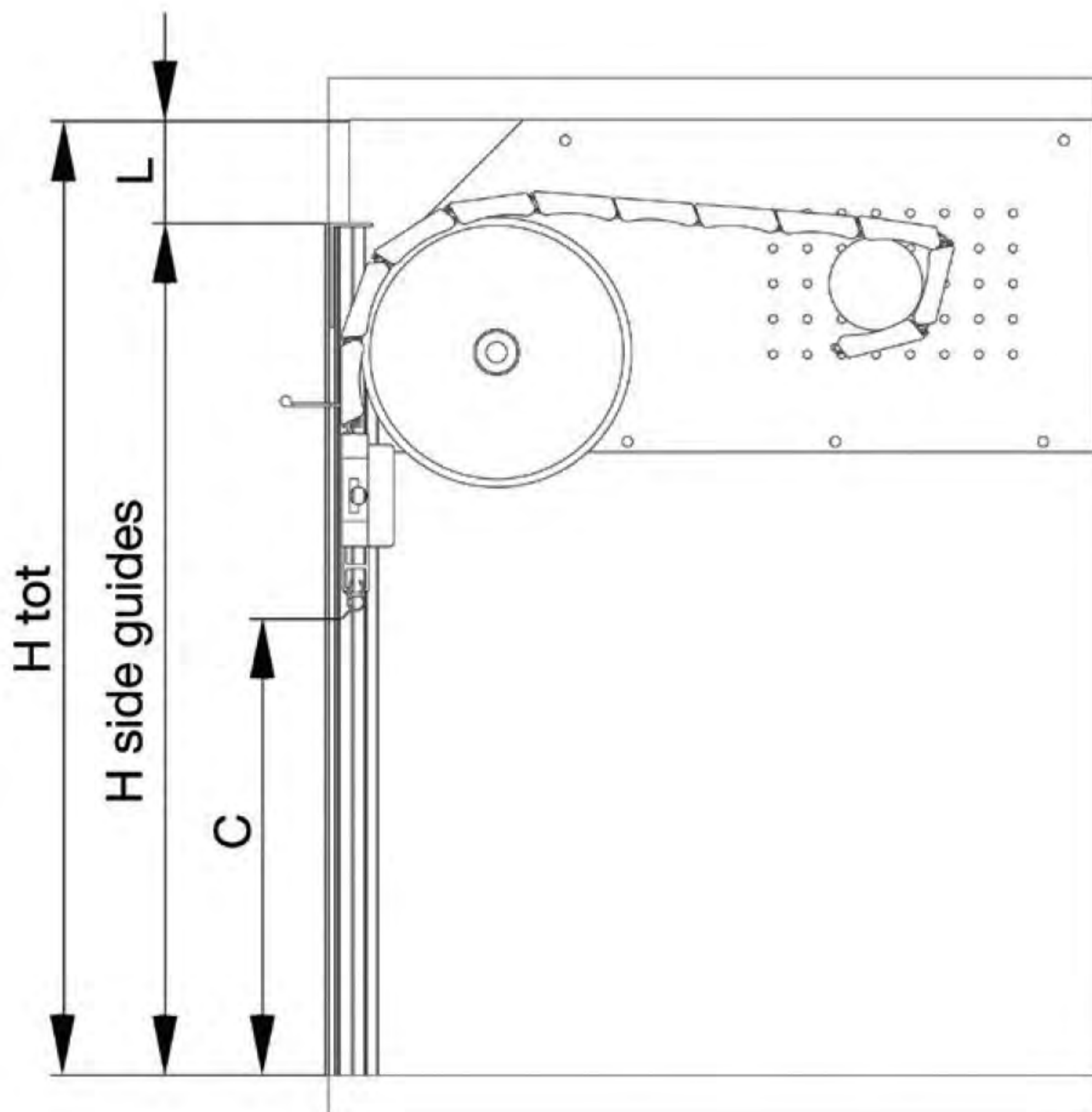
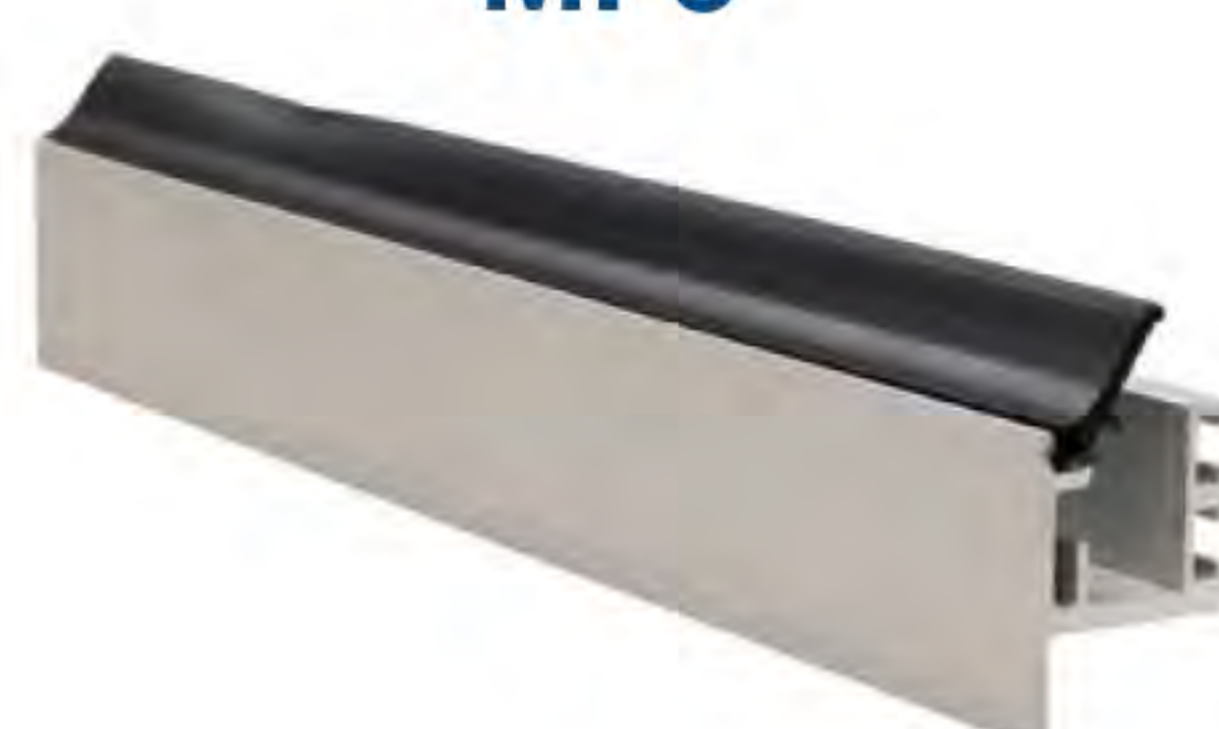
MP4 1 rubber



MP4 2 rubbers

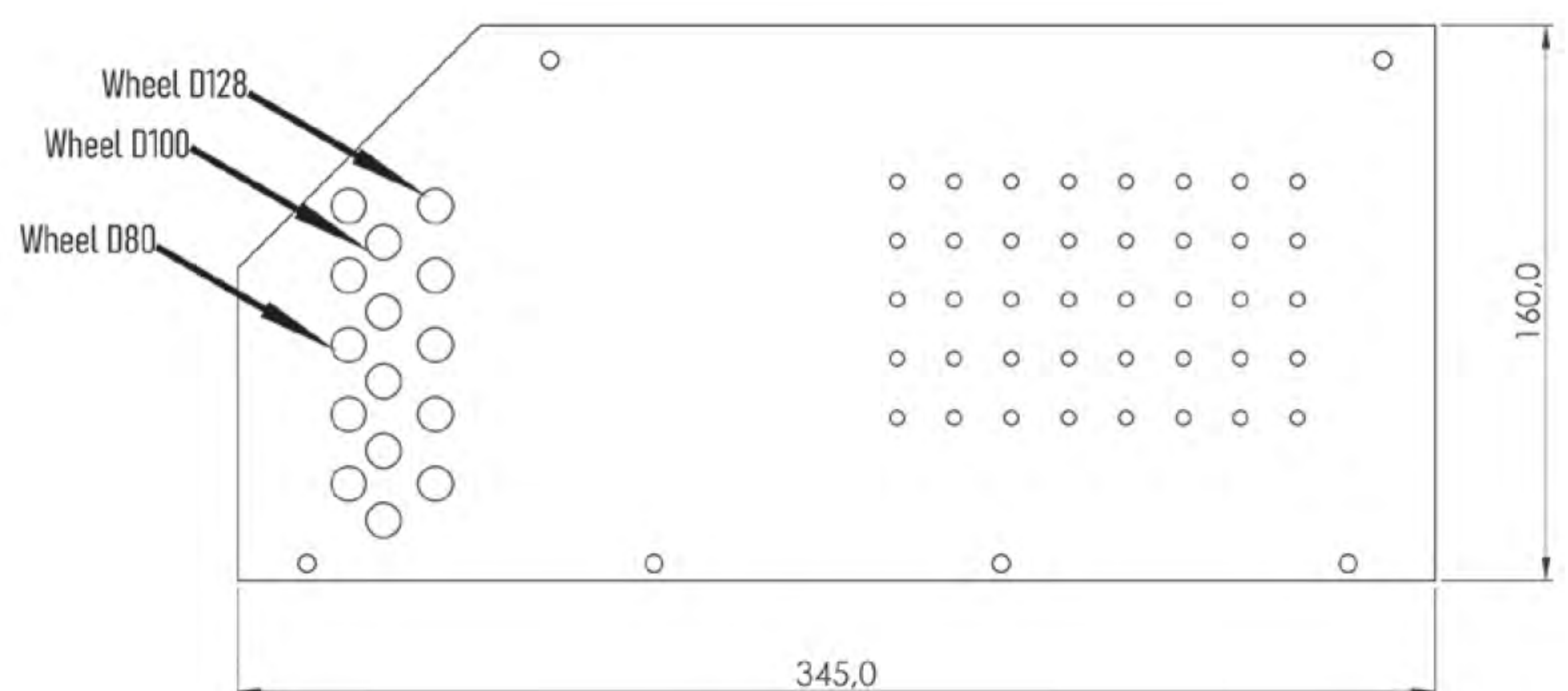
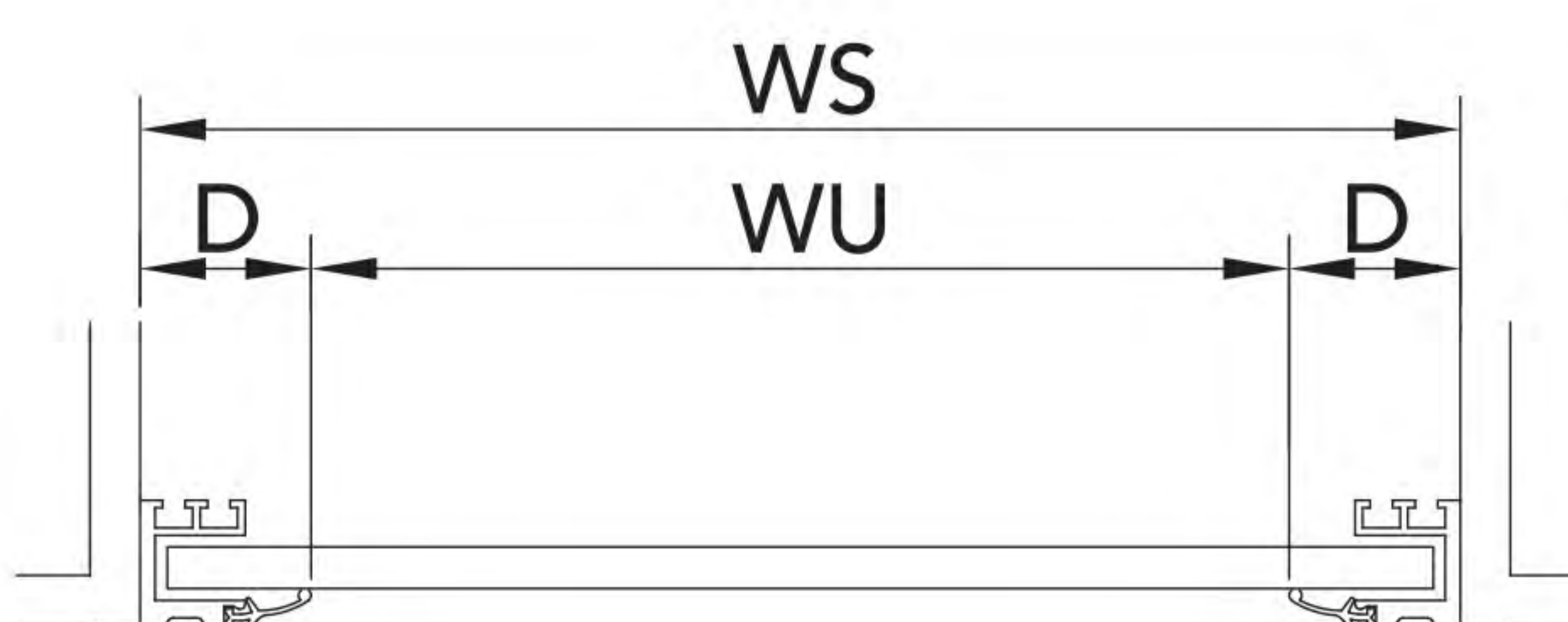


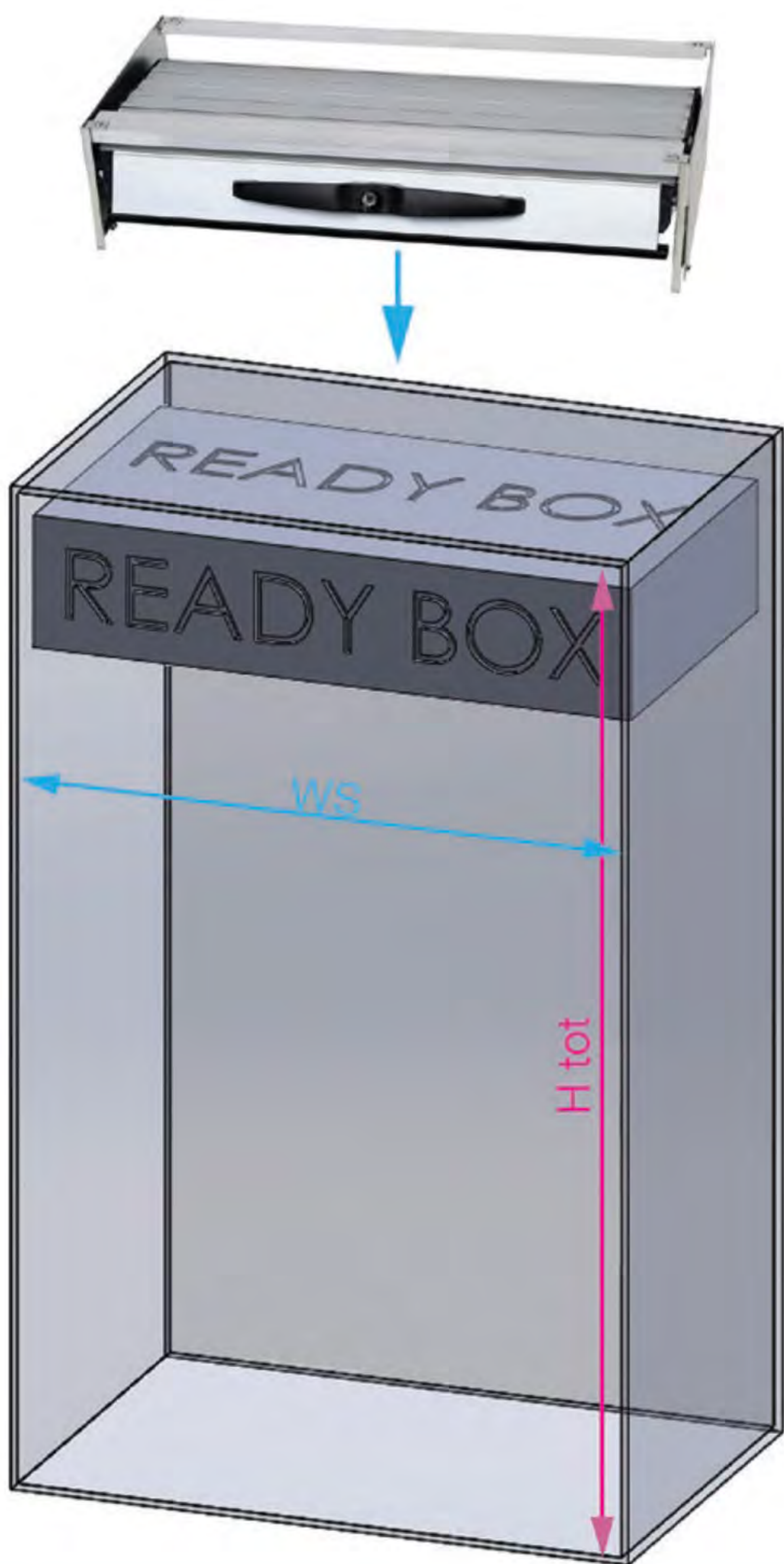
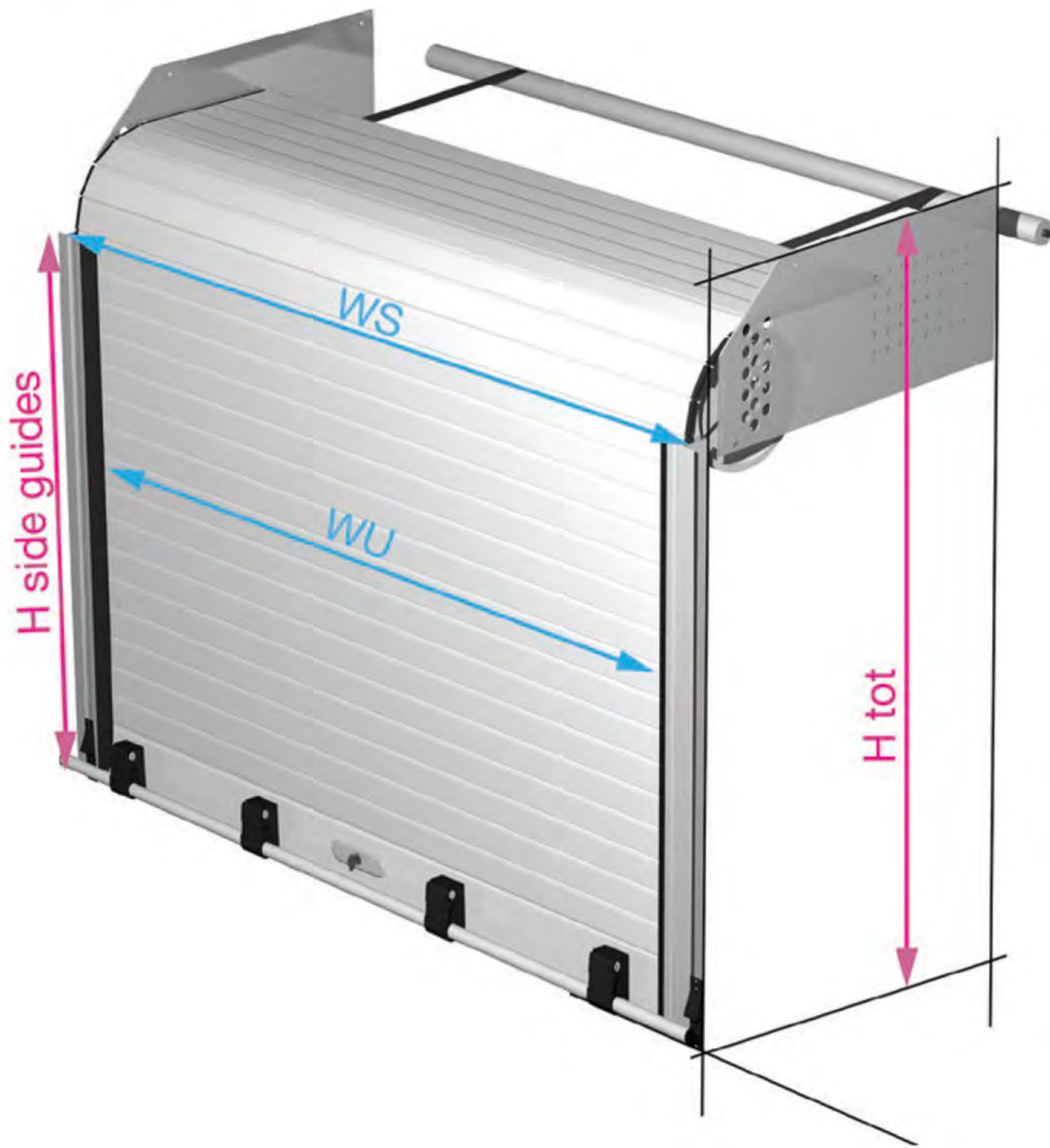
MP5



MEASUREMENTS	
H tot	Total height
H guides	Side guides height
L	Sliding room
C	Light height
WU	Light width
WS	Total width
D	Guide and gasket edge

FIXING PLATE - dimensions and rows for the wheel diameter.

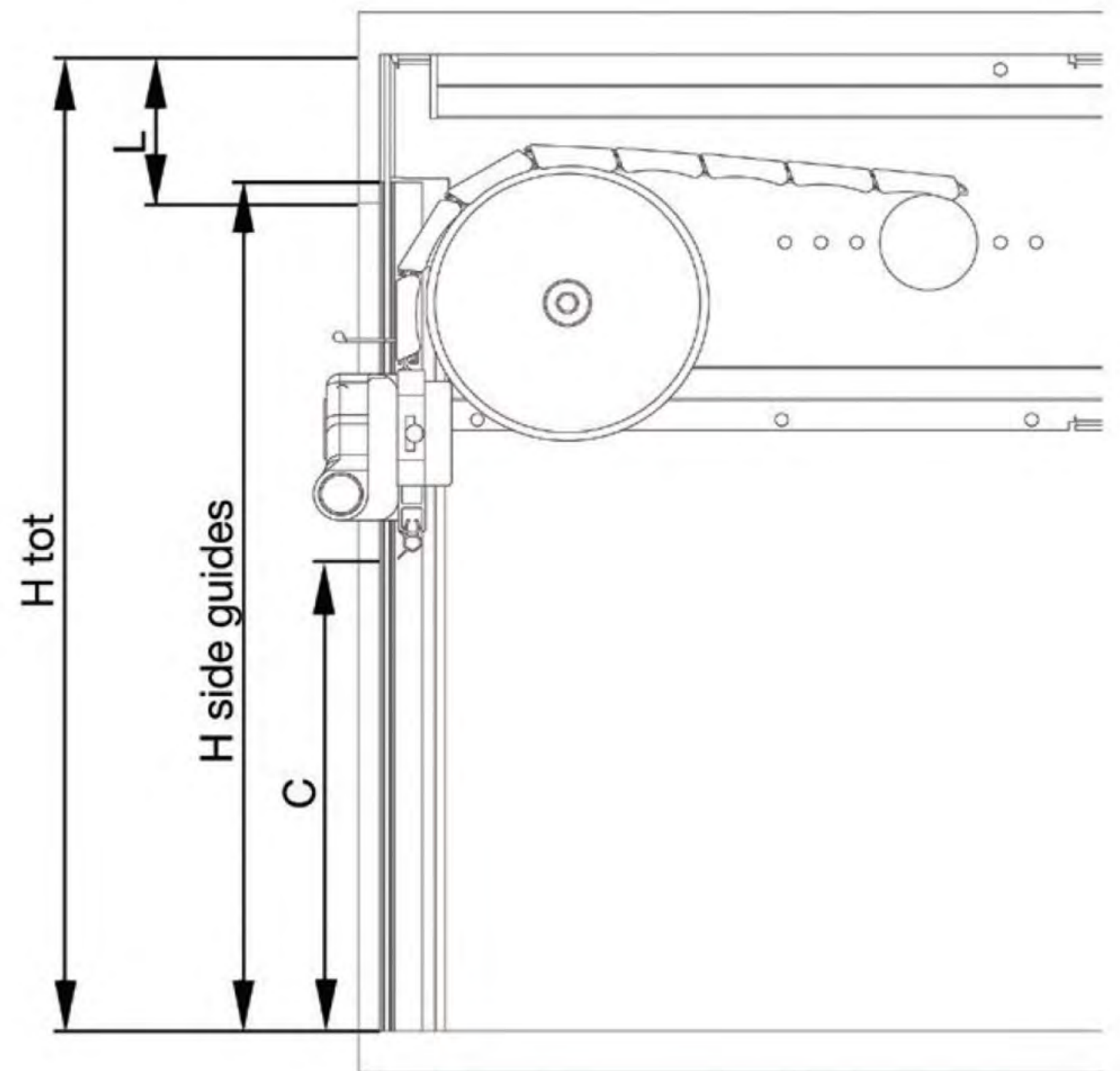




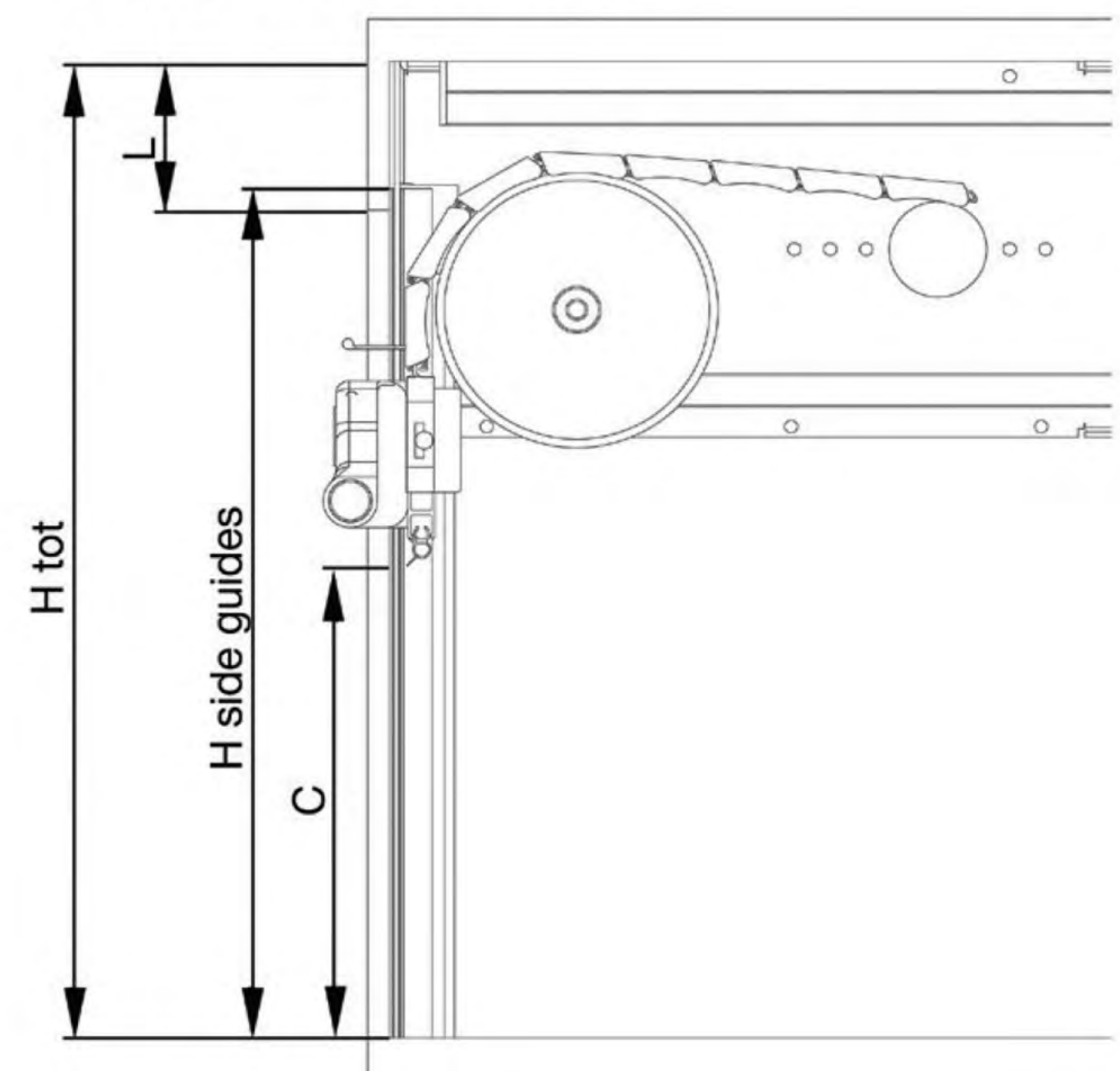
MEASURING

MEASUREMENTS	
H tot	Total height
H guides	Side guides height
L	Sliding room
C	Light height
WU	Light width
WS	Total width

SRS TOP READY MP4



SRS TOP READY MP5

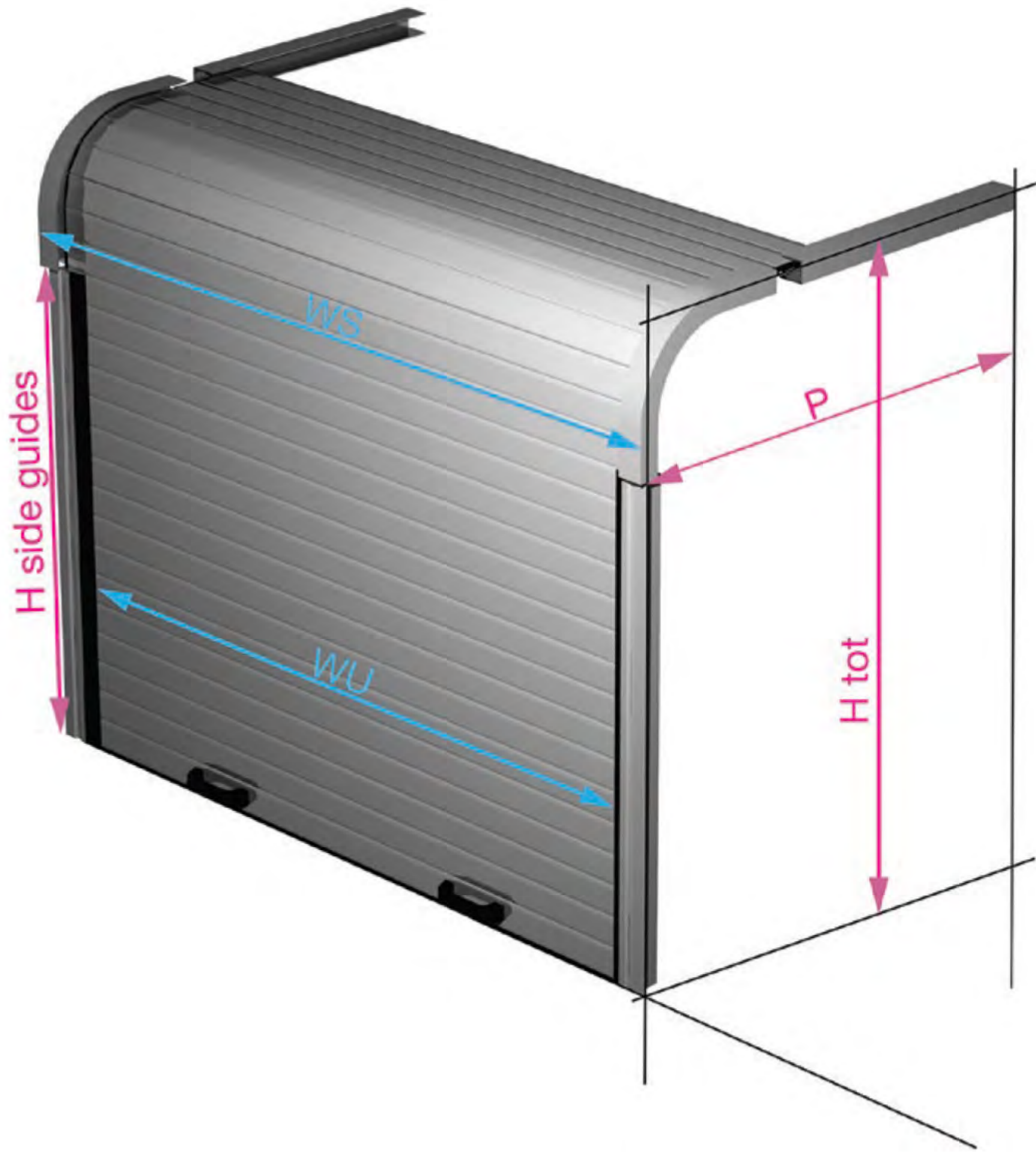


View mounting instruction video MP4

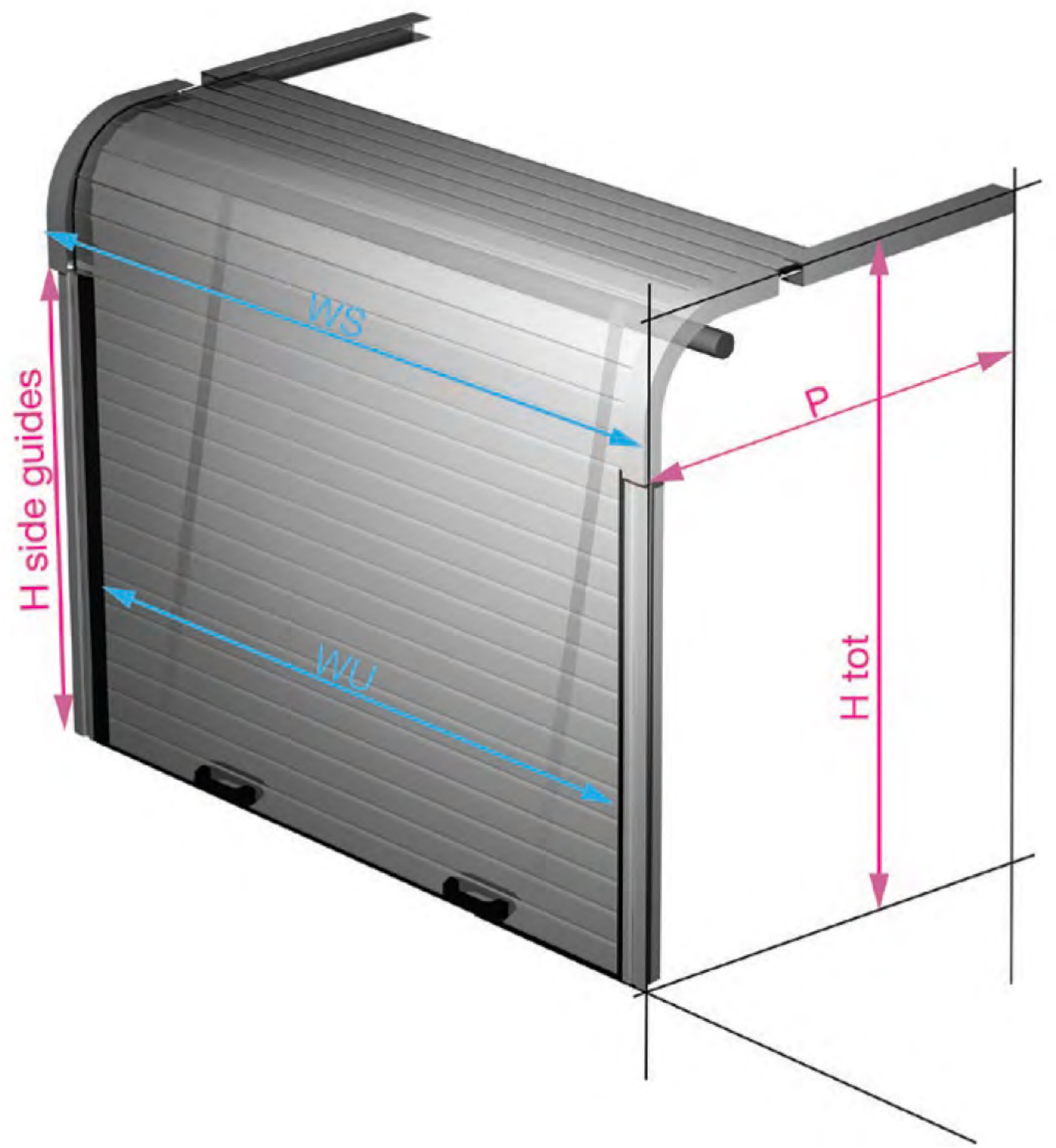


View mounting instruction video MP5

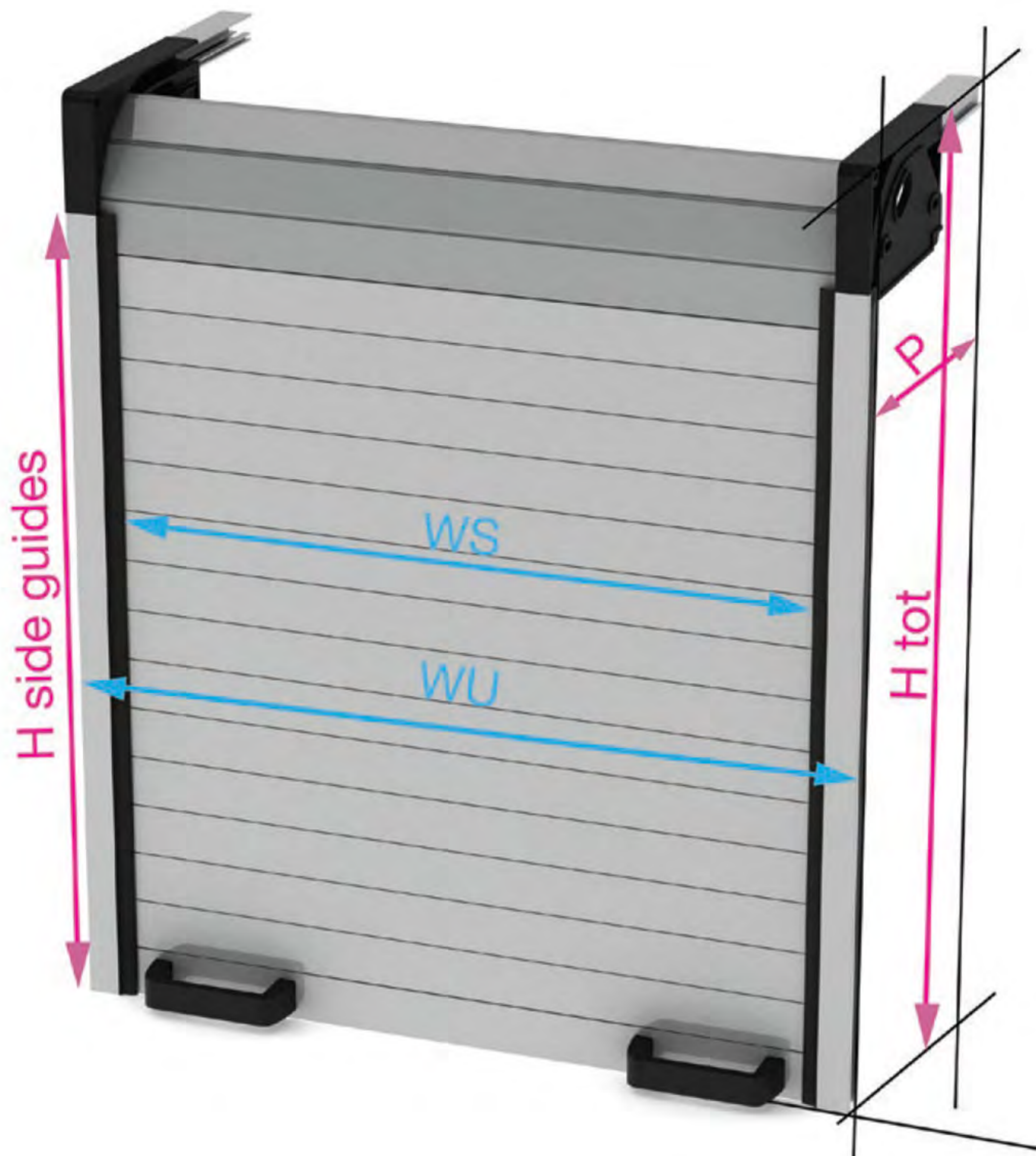
SRS ECO



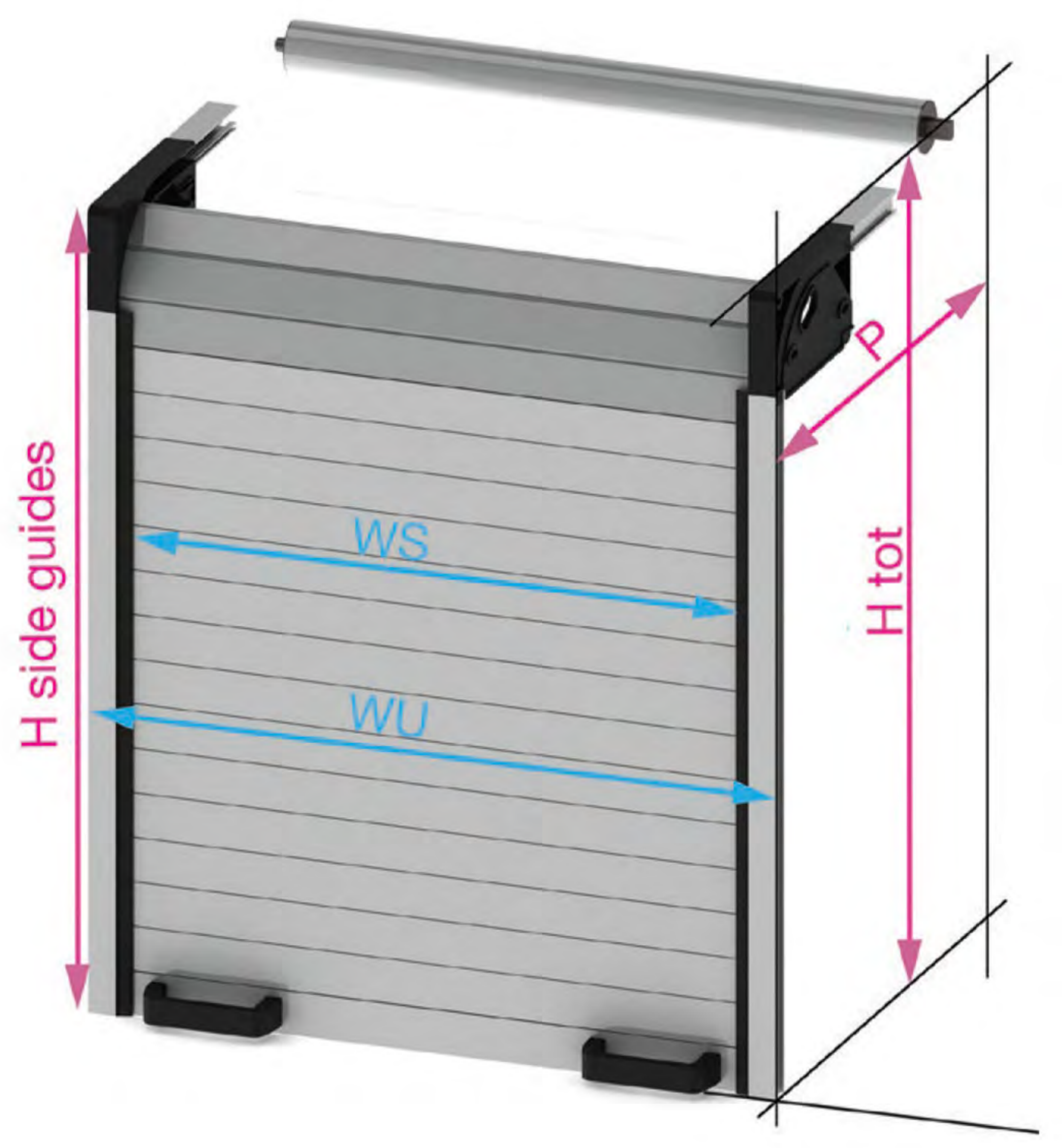
SRS ECO PLUS



SRS ECO SIMPLY



SRS ECO SIMPLY PLUS





SRS[®]
ROLLER SHUTTERS

Via B. Castelli, 44-46-48
25010 Montirone (BS) Italia
Tel. +39 030-2677496
Fax +39 030-2170480

www.serenaproduction.it
www.srs-shutters.com

Email: sales@srs-shutters.com
info@serenaproduction.it

 @Serenaproduction

 /company/serena-production/

FIRECO SRL
Via E. Fermi, 56
25064 GUSSAGO (BS)
IT - ITALIA
Tel.: +39 030 3733916
Fax : +39 030 3733762
www.fireco.eu
info@fireco.it

HISPAMAST, S.L.
C/Estaño, 30
28510 Campo Real
ES - ESPAÑA
Tel.: +34 918 733733
Fax: +34 918 765141
www.hispamast.com
info@hispamast.com

EUROMAST S.A.R.L.
Savoie hexapole,
101 Rue Louis Armand, 73420 Mery
FRANCE
Tel.: +33 4 79349215
Fax: +33 4 793492 16
www.euromast.fr
fireco@euromast.fr

FIRECO SYSTEMS N.V.
Diestersteenweg 142
3510 KERMT
BE - BELGIUM
Tel.: +32 11 851602
Fax : +32 11 851604
www.fireco.be
info@fireco.be

FIRECO ASIA
No. 9, Jalan TP 3/2 Taman
Perindustrian UEP
47620 SUBANG JAYA - MALAYSIA (MY)
Tel.: +603 8011 2300
Fax: +603 8812367
www.fireco-asia.com
gc@fireco-asia.com

Fireco US
1740 N. Gateway Boulevard
Fresno, California 93727
USA
Tel.: +1 559 353-2823
Fax: +1 559 255-7012
info@firecousa.com
www.firecousa.com