

# SRS TOP READY

The SRS TOP roller shutters can be mounted on many different types of firefighting, emergency, industrial and special vehicles. They are medium-sized roller shutters that are rolled up by a 45ø roller.





# SRS TOP READY



The aluminium roller shutter mod. TOP READY is assembled with profiles H30 or H38, is realized with the required heights in extruded shapes and special characteristics. It can be used for the main compartments, in substitution to troublesome leaf-doors. Usually, the roller shutters are delivered silver anodized or RAL 7035 painted, or on demand painted in different RAL colours. The space-saving TOP READY shutters have a special wrapping roll Ø45, pre-set in accordance to the shutters dimensions.

**The roller shutter will be delivered in a single kit composed by:**

- pre-assembled kit: 1 shutter complete with closing system with or without key, 1 roll, 2 plates, 2 groups of wheel,
- 1 pair of vertical guides
- 1 box with accessories
- + **Required optionals**

MAX. RECOMMENDED DIMENSIONS		Weight of roller shutter for 1m <sup>2</sup>
Max. recommended area	4 m <sup>2</sup>	H30 = 13Kg H38 = 11Kg
Width max.	2200 mm	
Height max.	2200 mm	
Width min.	450 mm	



## CLOSING SYSTEMS



T2 closing system with or without key. As optional it can be supplied with grip profile.



T3 closing system with or without key. It is supplied with grip profile.



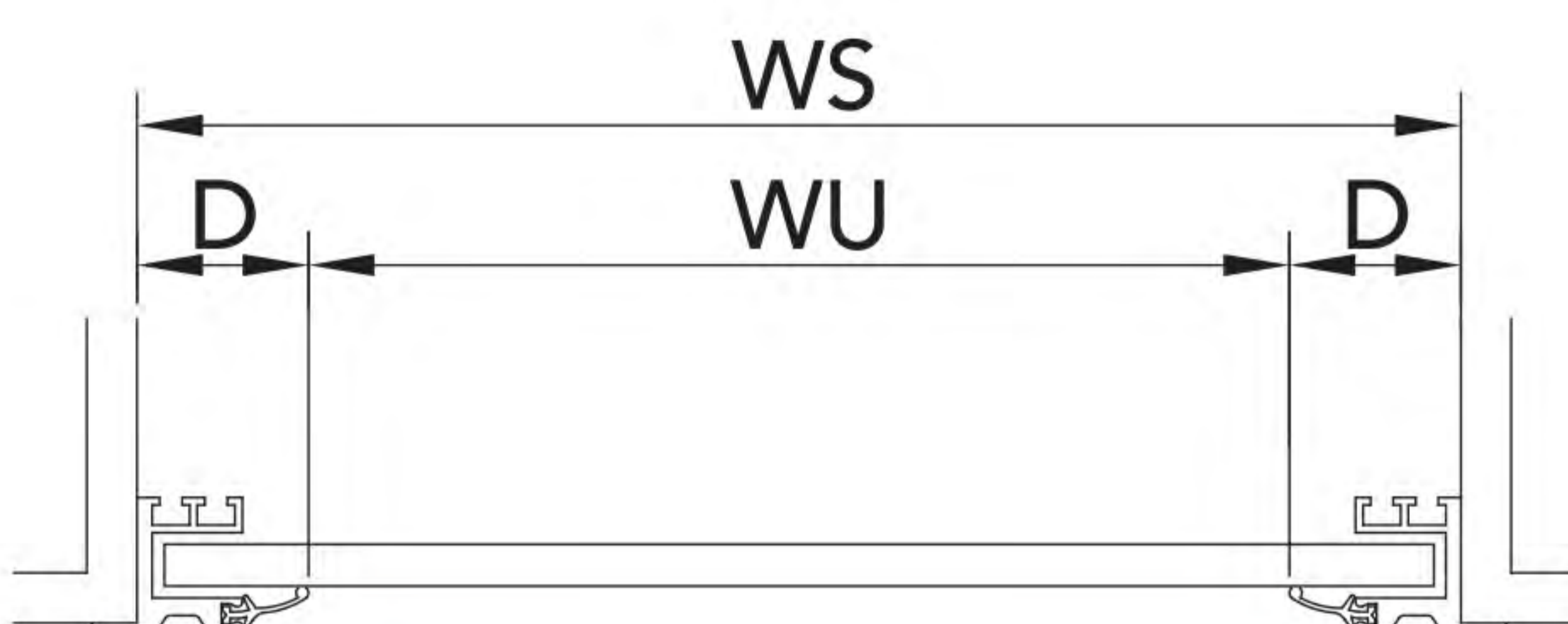
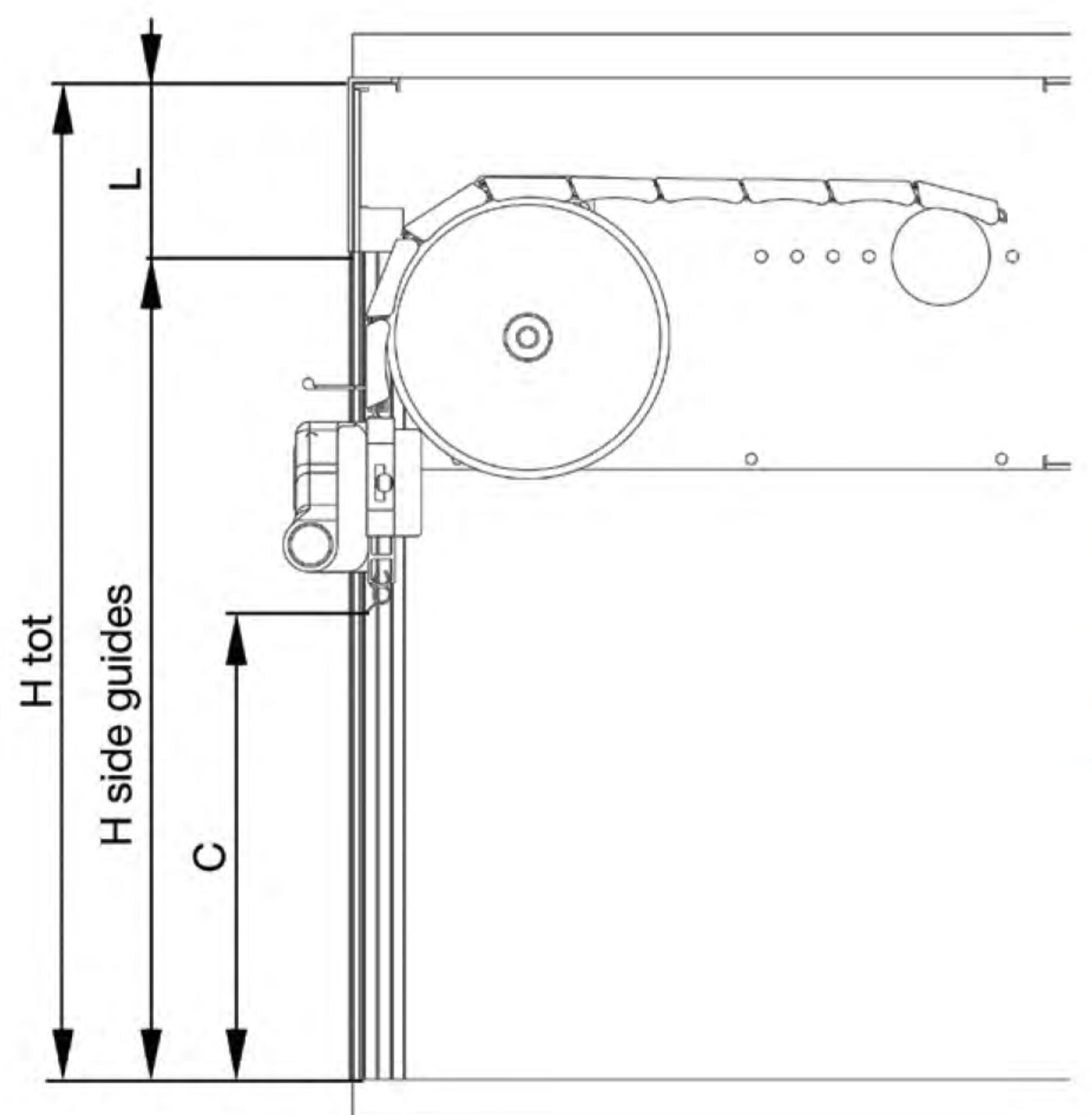
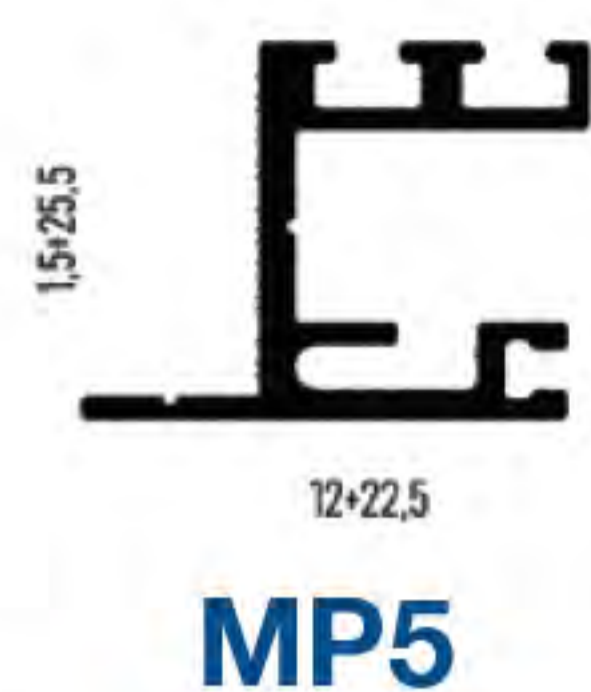
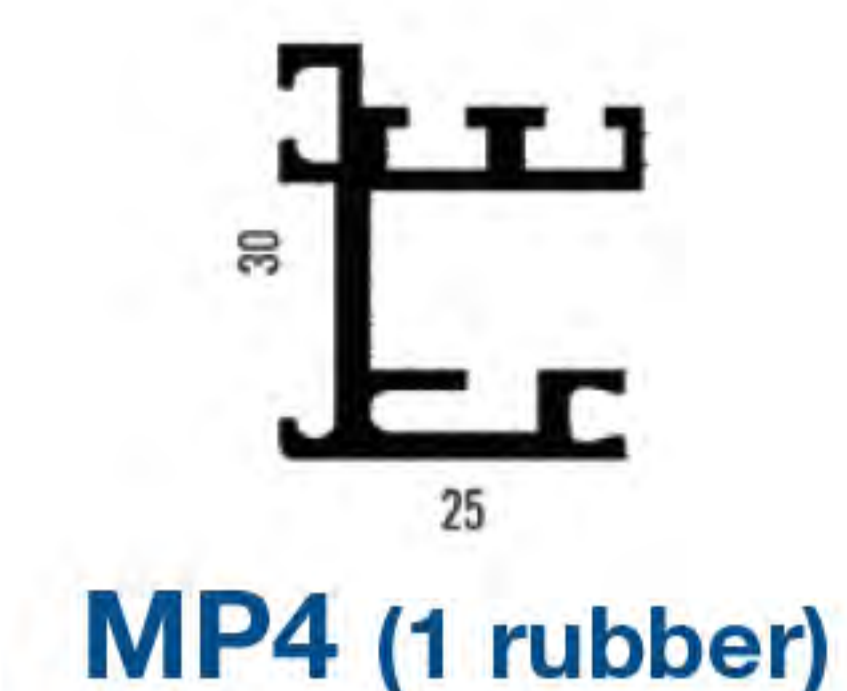
T5 (Tribarlock) closing system with or without key. It is supplied with grip profile.

### Below number of blocks based on shutters dimensions

- For shutter w 240 to w 450 mm (1 block)
- For shutter w 451 to w 1200 mm (2 blocks)
- For shutter w 1201 to w 1700 mm (3 blocks)
- For shutter w 1701 to w 2500 mm (4 blocks)
- For shutter w 2501 to w 2800 mm (5 blocks)

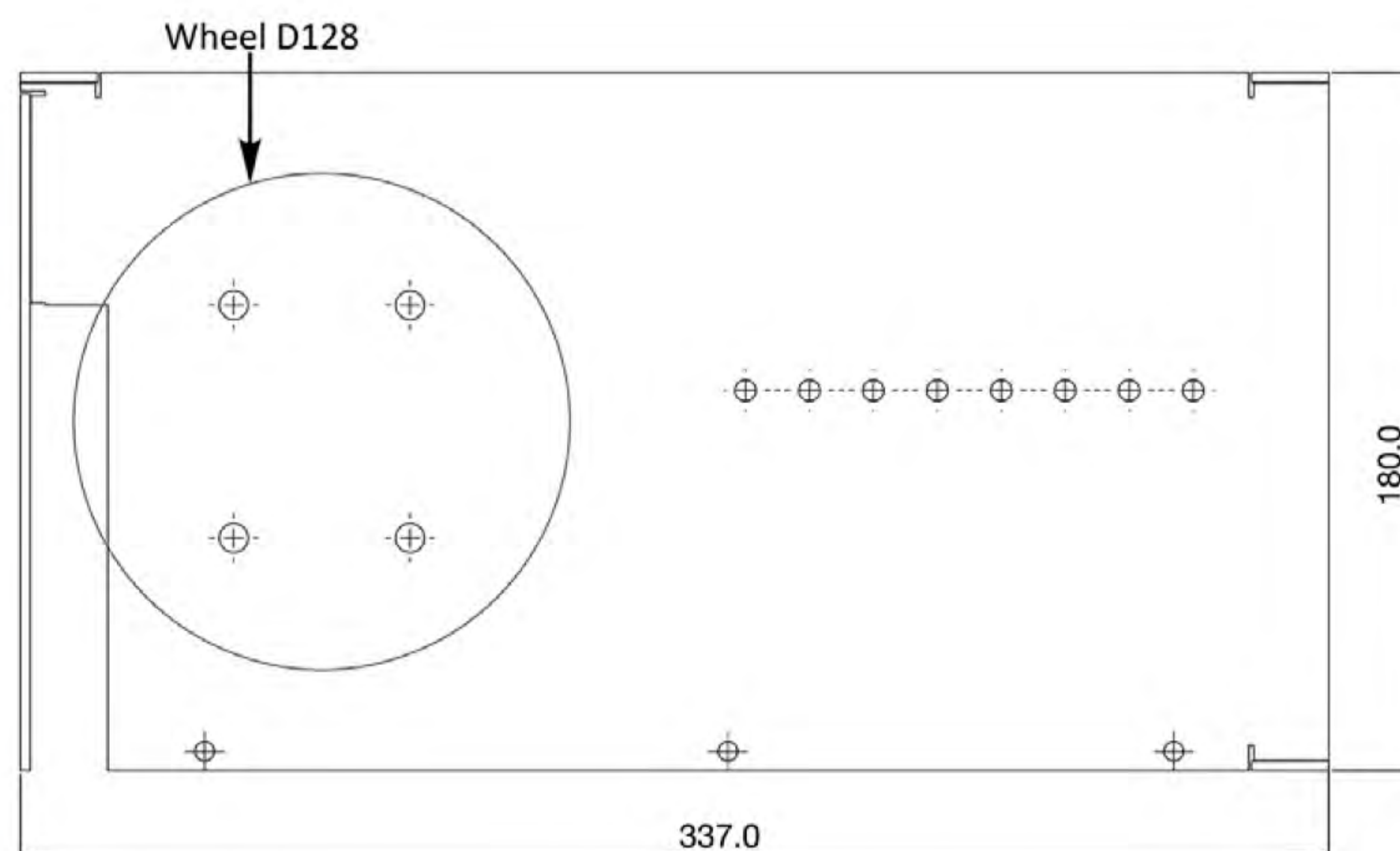
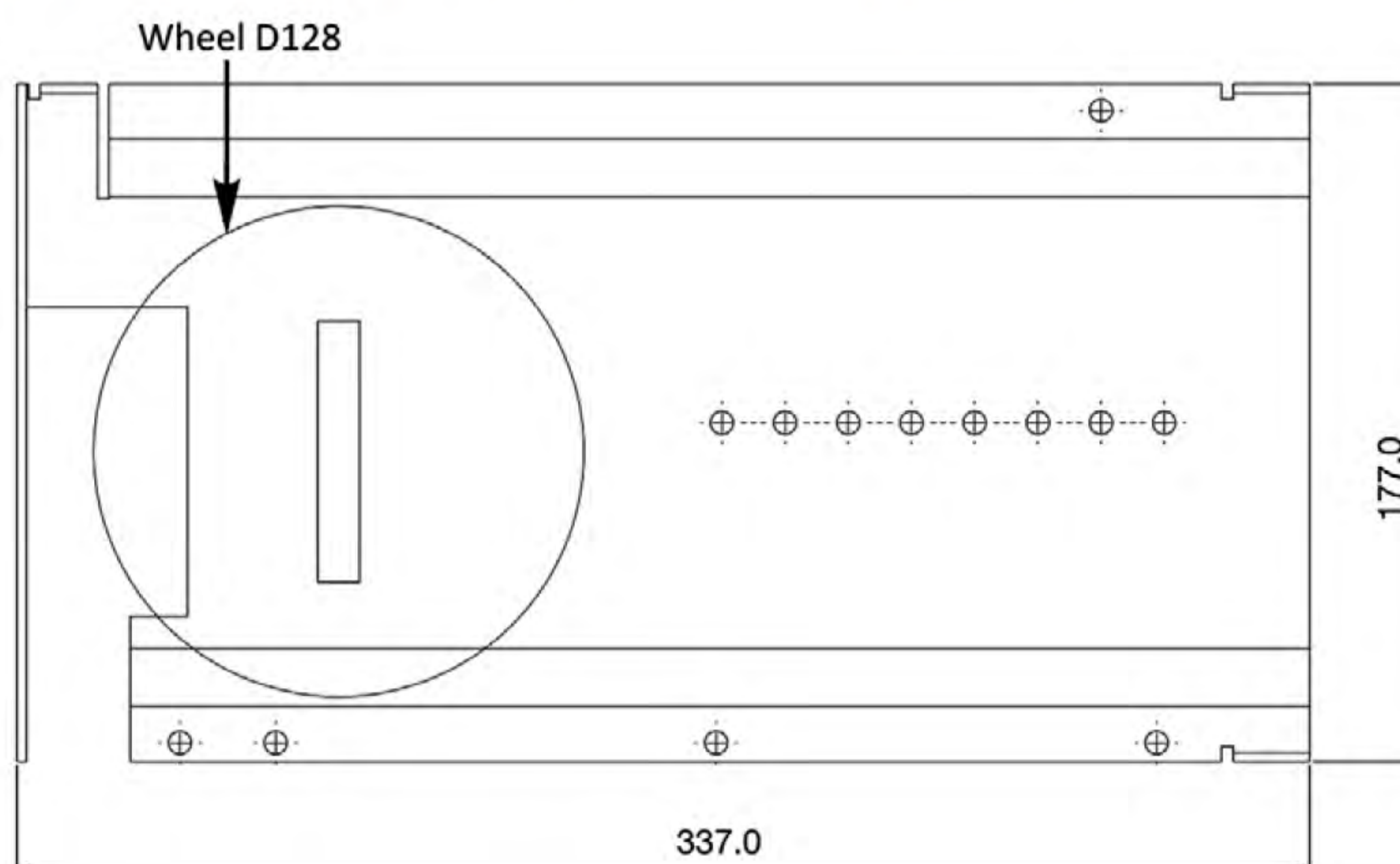


# AVAILABLE GUIDE PROFILES



Fixing plate for MP4 and MP5

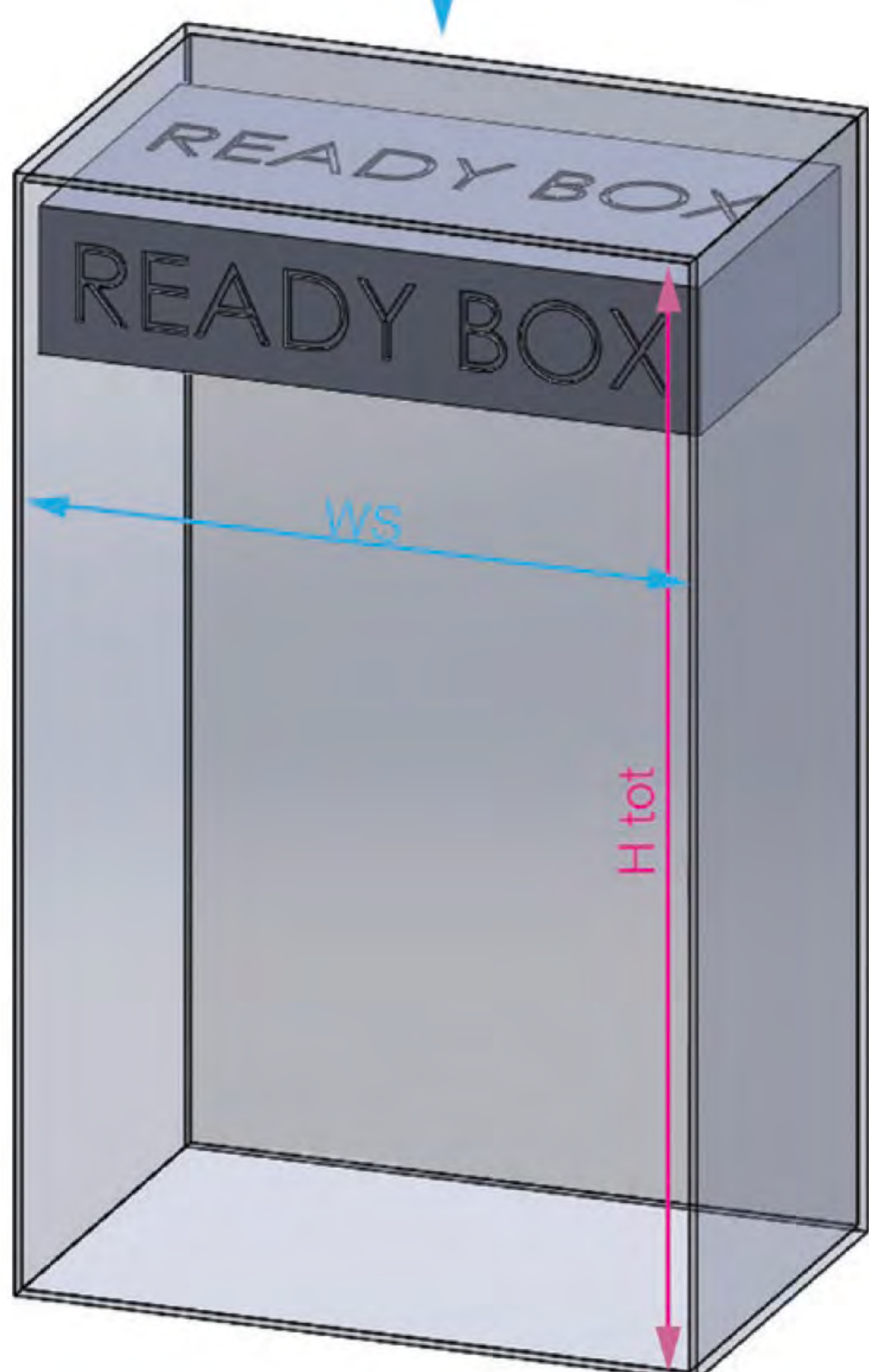
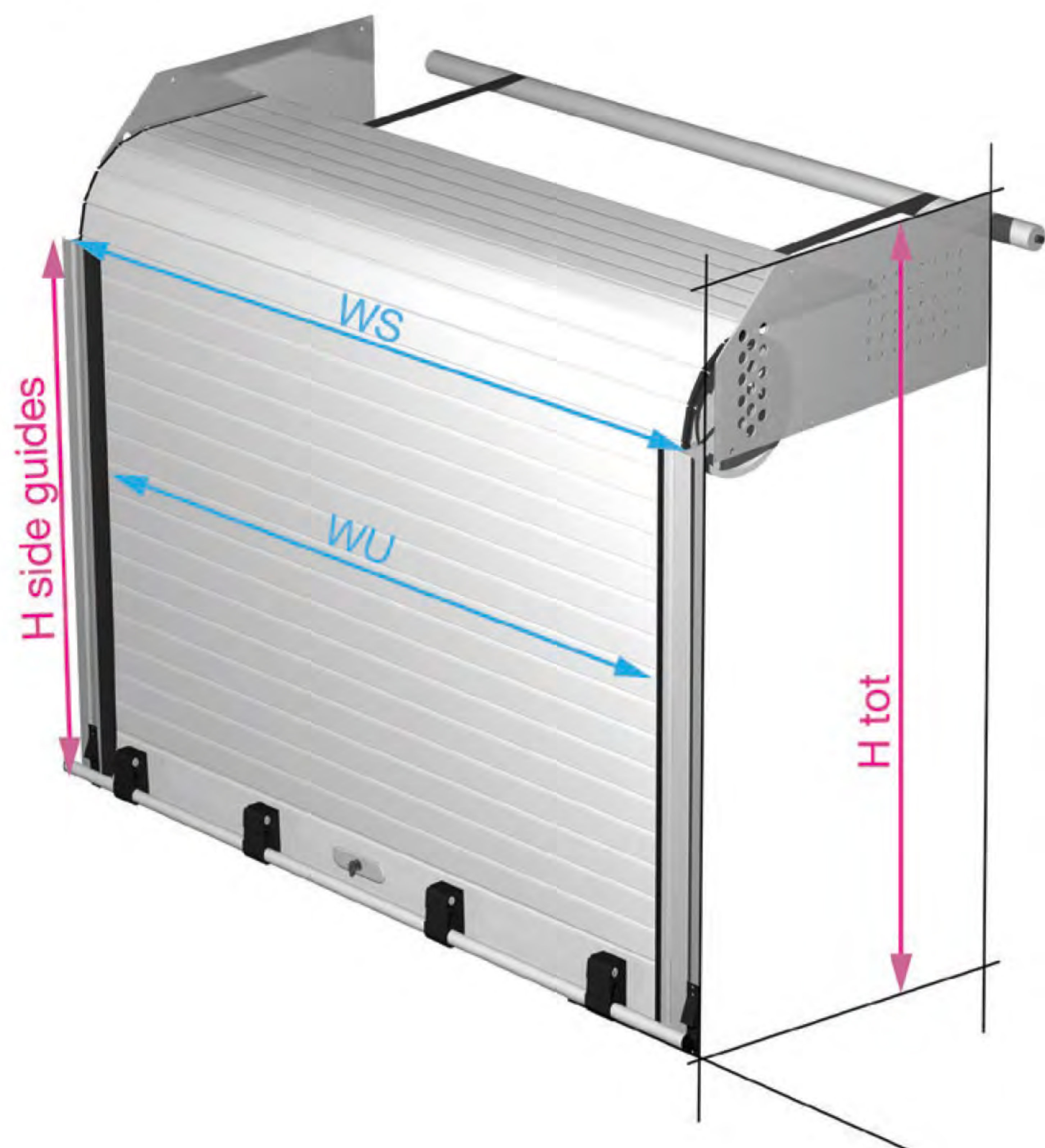
**\*NOTE:** In order to produce this shutter, the compartment must have precise dimensions because the tolerance is low, almost zero. A 3D or 2D drawing is valuable.



## MEASUREMENTS

H tot	Total height
H guides	Side guides height
L	Sliding room
C	Light height
WU	Light width
WS	Total width
D	Guide and gasket edge

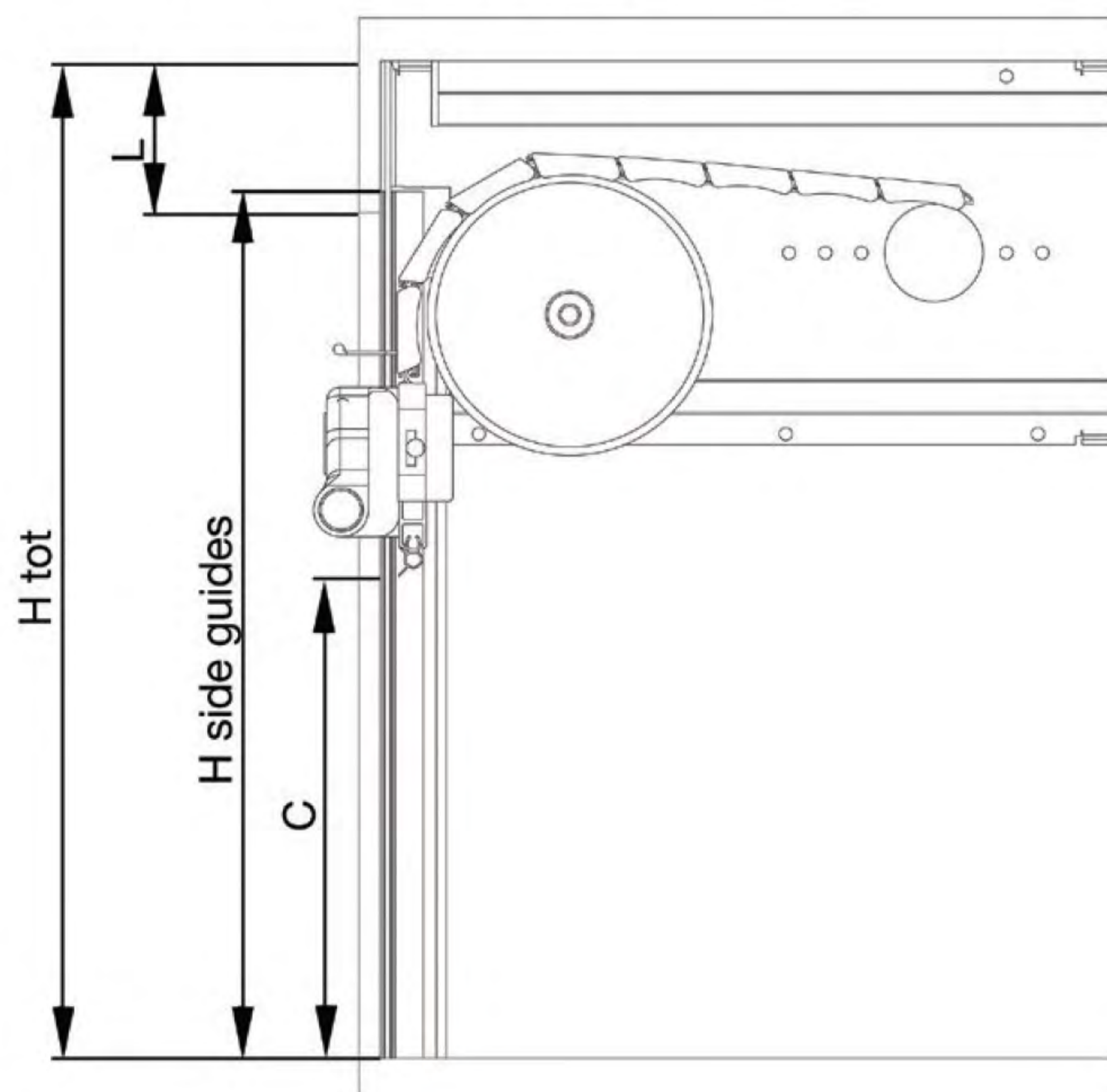




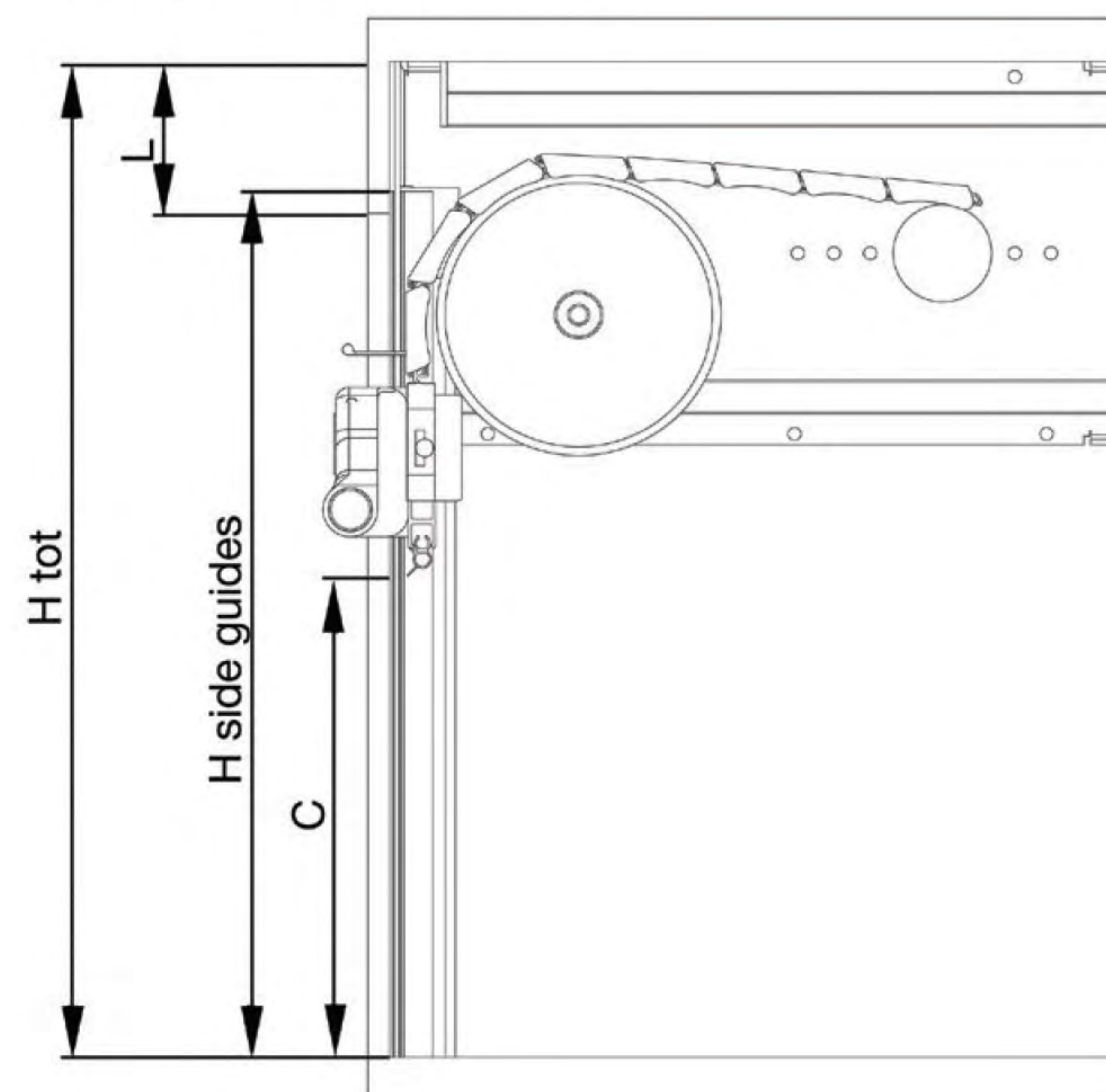
# MEASURING

MEASUREMENTS	
H tot	Total height
H guides	Side guides height
L	Sliding room
C	Light height
WU	Light width
WS	Total width

## SRS TOP READY MP4



## SRS TOP READY MP5



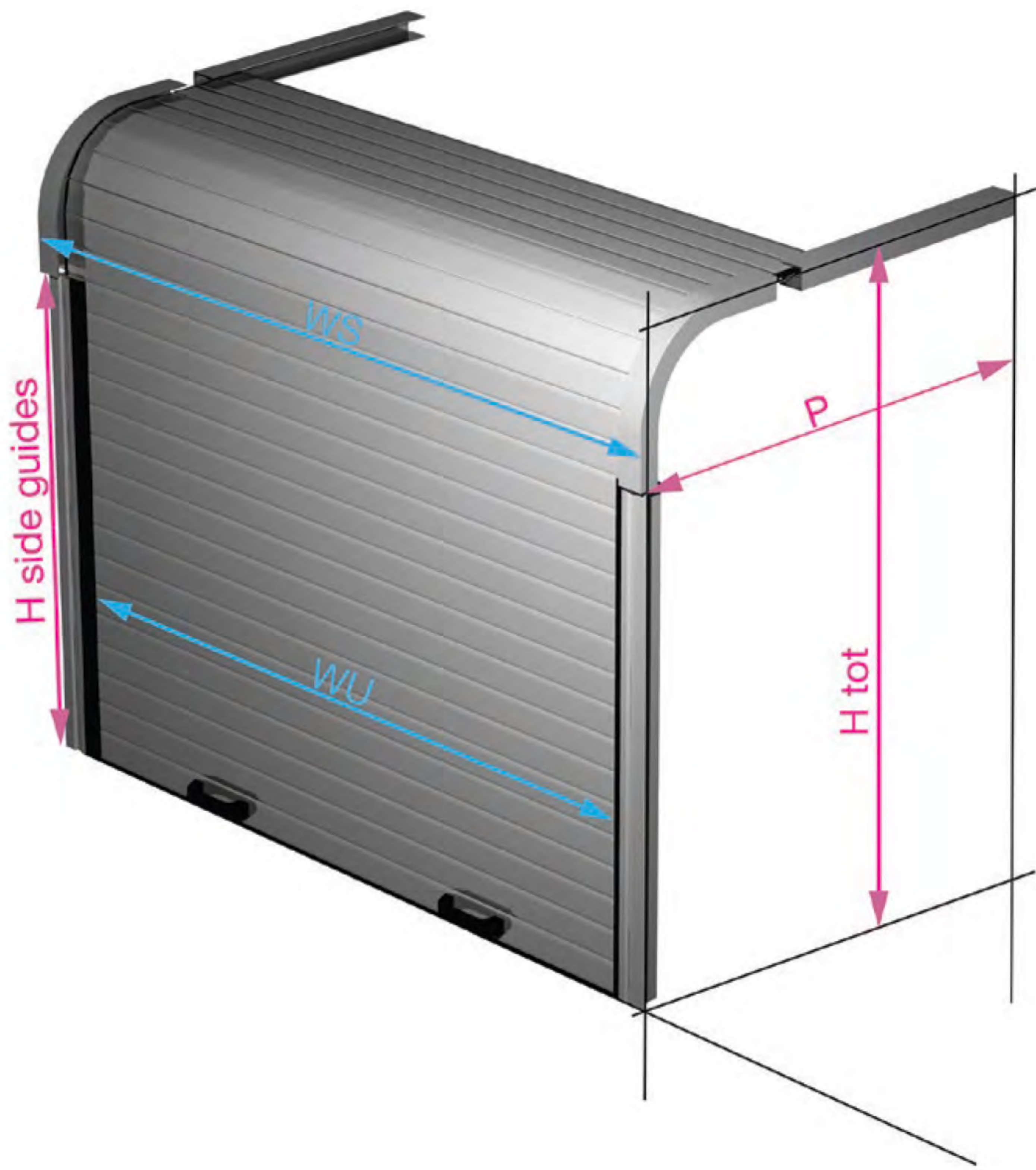
View mounting instruction video MP4



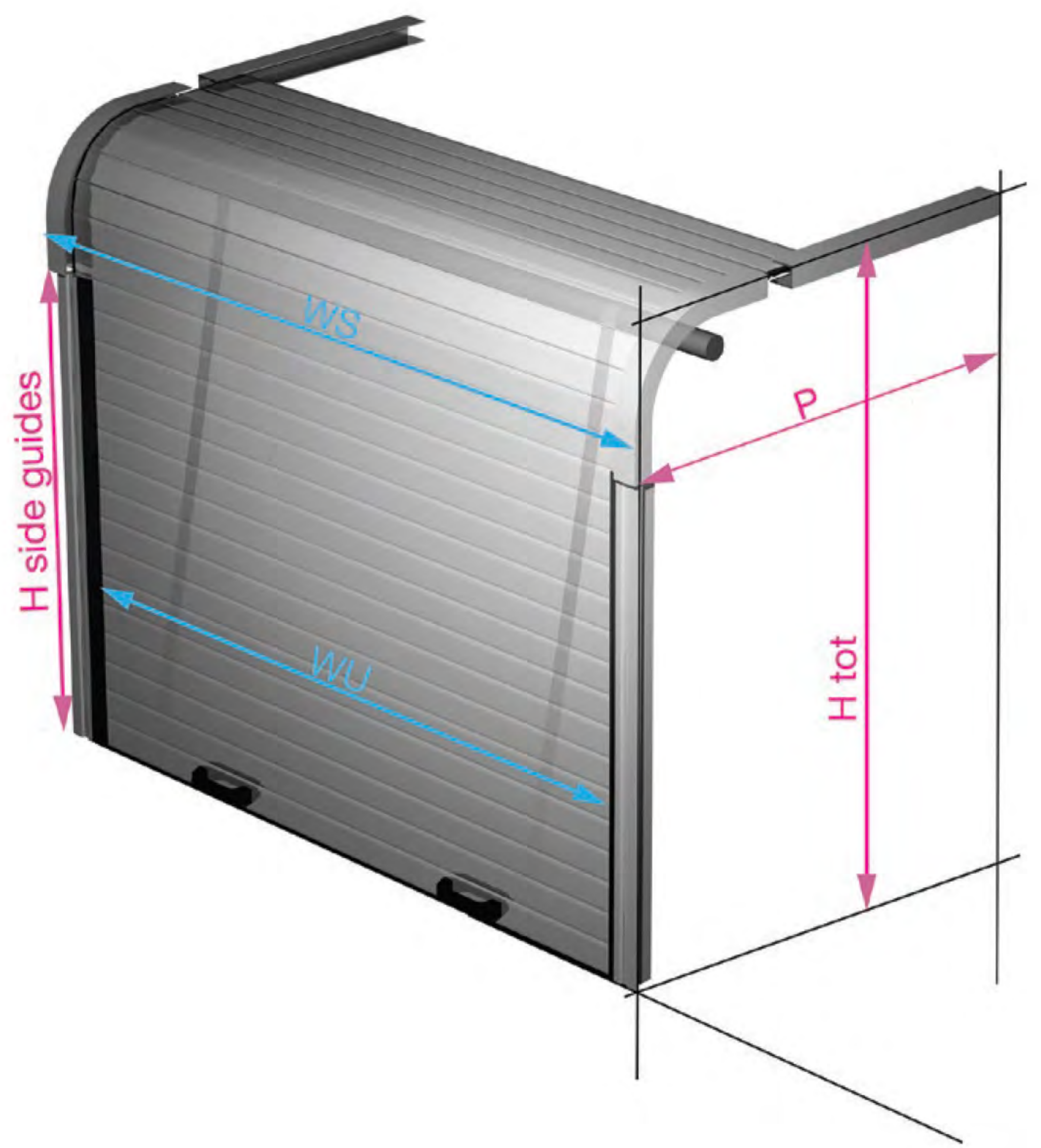
View mounting instruction video MP5



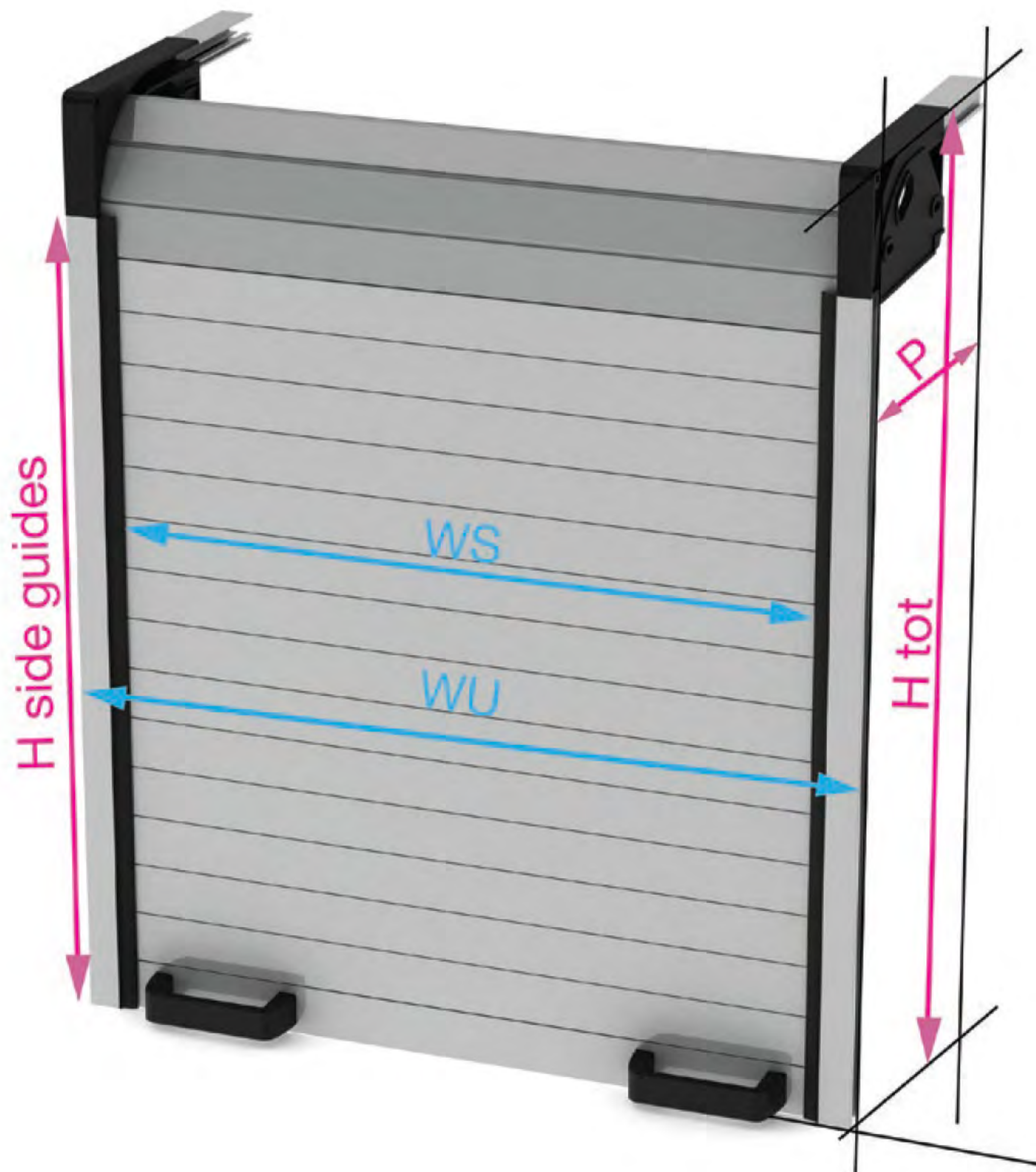
SRS ECO



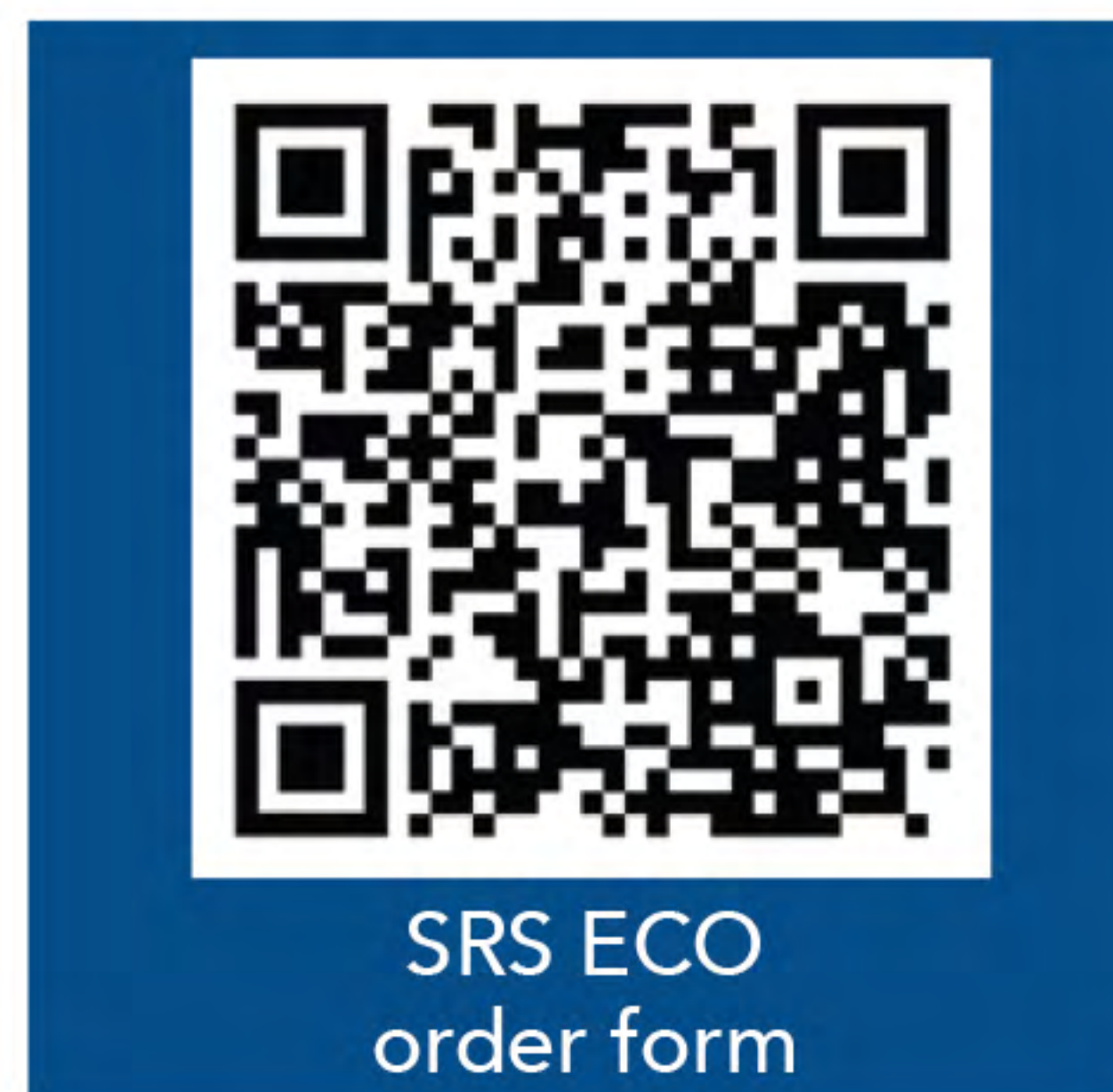
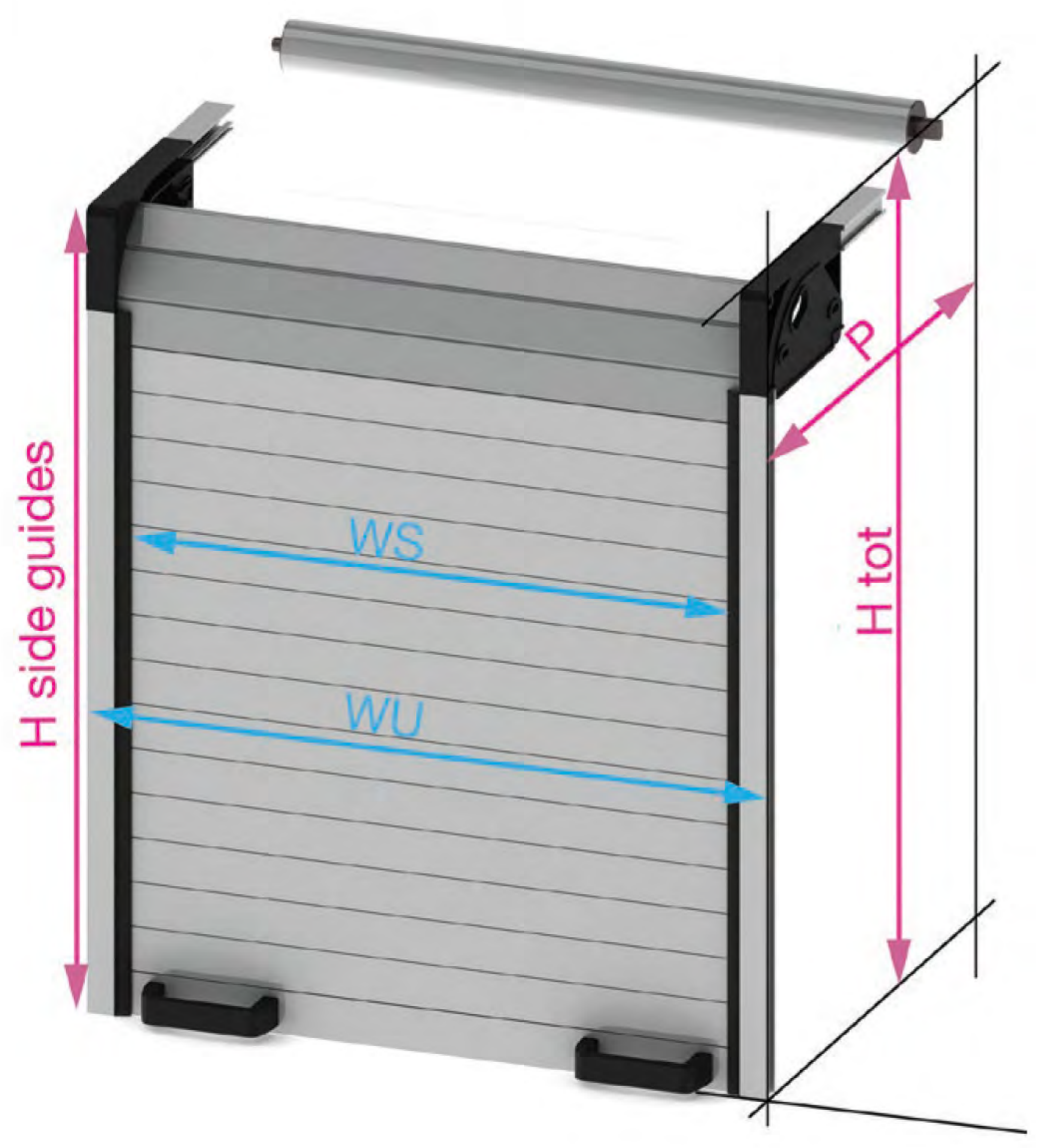
SRS ECO PLUS



SRS ECO SIMPLY



SRS ECO SIMPLY PLUS







**SRS**<sup>®</sup>  
ROLLER SHUTTERS

Via B. Castelli, 44-46-48  
25010 Montirone (BS) Italia  
Tel. +39 030-2677496  
Fax +39 030-2170480

[www.serenaproduction.it](http://www.serenaproduction.it)  
[www.srs-shutters.com](http://www.srs-shutters.com)

Email: [sales@srs-shutters.com](mailto:sales@srs-shutters.com)  
[info@serenaproduction.it](mailto:info@serenaproduction.it)

 @Serenaproduction

 /company/serena-production/

FIRECO SRL  
Via E. Fermi, 56  
25064 GUSSAGO (BS)  
IT - ITALIA  
Tel.: +39 030 3733916  
Fax : +39 030 3733762  
[www.fireco.eu](http://www.fireco.eu)  
[info@fireco.it](mailto:info@fireco.it)

HISPAMAST, S.L.  
C/Estaño, 30  
28510 Campo Real  
ES - ESPAÑA  
Tel.: +34 918 733733  
Fax: +34 918 765141  
[www.hispamast.com](http://www.hispamast.com)  
[info@hispamast.com](mailto:info@hispamast.com)

EUROMAST S.A.R.L.  
Savoie hexapole,  
101 Rue Louis Armand, 73420 Mery  
FRANCE  
Tel.: +33 4 79349215  
Fax: +33 4 793492 16  
[www.euromast.fr](http://www.euromast.fr)  
[fireco@euromast.fr](mailto:fireco@euromast.fr)

FIRECO SYSTEMS N.V.  
Diestersteenweg 142  
3510 KERMT  
BE - BELGIUM  
Tel.: +32 11 851602  
Fax : +32 11 851604  
[www.fireco.be](http://www.fireco.be)  
[info@fireco.be](mailto:info@fireco.be)

FIRECO ASIA  
No. 9, Jalan TP 3/2 Taman  
Perindustrian UEP  
47620 SUBANG JAYA - MALAYSIA (MY)  
Tel.: +603 8011 2300  
Fax: +603 8812367  
[www.fireco-asia.com](http://www.fireco-asia.com)  
[gc@fireco-asia.com](mailto:gc@fireco-asia.com)

Fireco US  
1740 N. Gateway Boulevard  
Fresno, California 93727  
USA  
Tel.: +1 559 353-2823  
Fax: +1 559 255-7012  
[info@firecousa.com](mailto:info@firecousa.com)  
[www.firecousa.com](http://www.firecousa.com)