

SRS TOP

The SRS TOP roller shutters can be mounted on many different types of firefighting, emergency, industrial and special vehicles. They are medium-sized roller shutters that are rolled up by a 45° roller.



SRS TOP



The aluminium roller shutter mod. TOP is assembled with profiles H30, H38 or H35, is realized with the required heights in extruded shapes and special characteristics. It can be used for the main compartments, in substitution to troublesome leaf-doors. Usually the roller shutters are delivered silver anodized or RAL 7035 painted, or on demand painted in different RAL colours.

The space-saving TOP shutters have a special wrapping roll Ø45 or Ø60, pre-set in accordance to the shutters dimensions.

The roller shutter will be delivered divided into parts, which can be easily assembled:

- 1 pre-assembled shutter complete with closing system with or without key
- 1 pair of vertical guides
- 1 pre-set wrapping roll
- 1 box with accessories
- + **Required optionals**

MAX. RECOMMENDED DIMENSIONS		Weight of roller shutter for 1m ²
Max. recommended area	4 m ²	H30 = 13Kg
Width max.	2200 mm	H35 = 12Kg
Height max.	2200 mm	H38 = 11Kg
Width min.	450 mm	



CLOSING SYSTEMS



T2 closing system with or without key. As optional it can be supplied with grip profile.



T3 closing system with or without key. It is supplied with grip profile.

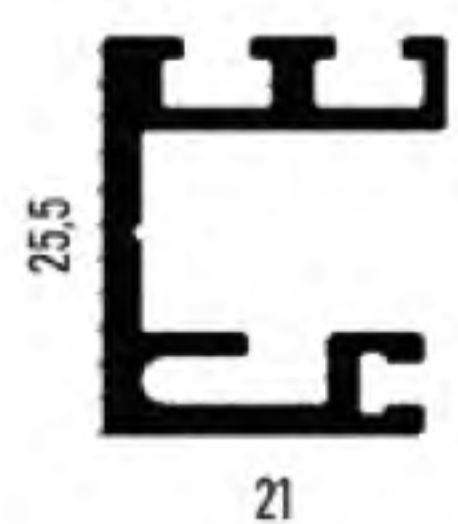


T5 (Tribarlock) closing system with or without key. It is supplied with grip profile.

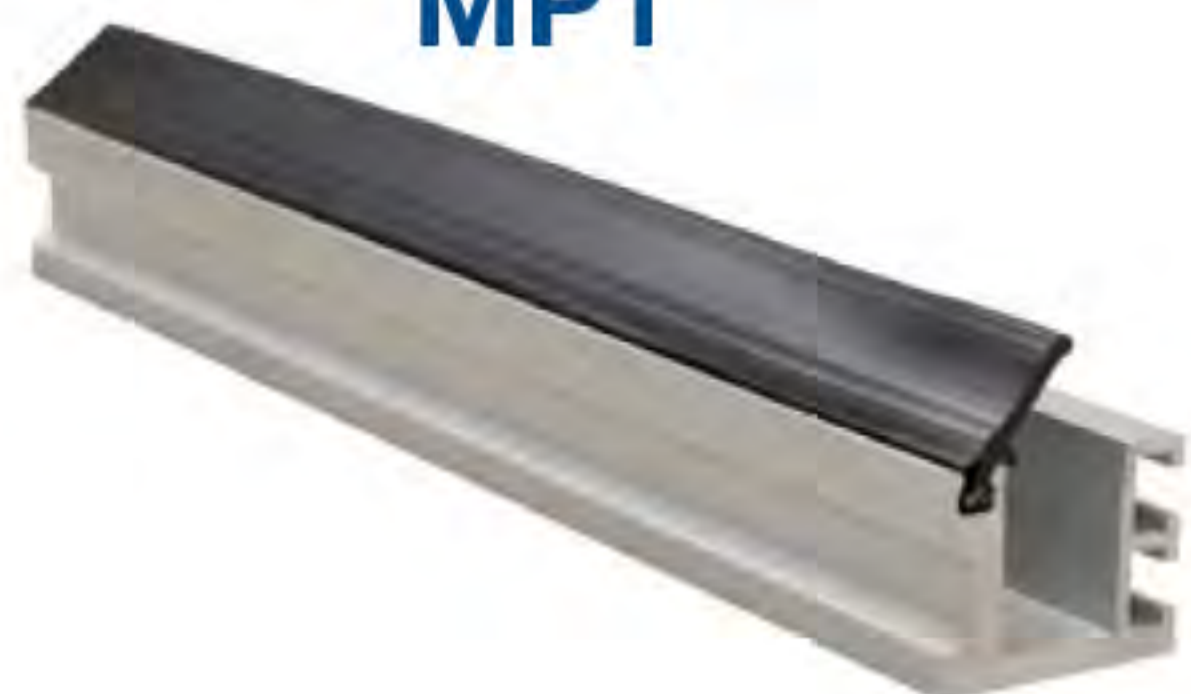
Below number of blocks based on shutters dimensions

- For shutter w 240 to w 450 mm (1 block)
- For shutter w 451 to w 1200 mm (2 blocks)
- For shutter w 1201 to w 1700 mm (3 blocks)
- For shutter w 1701 to w 2500 mm (4 blocks)
- For shutter w 2501 to w 2800 mm (5 blocks)

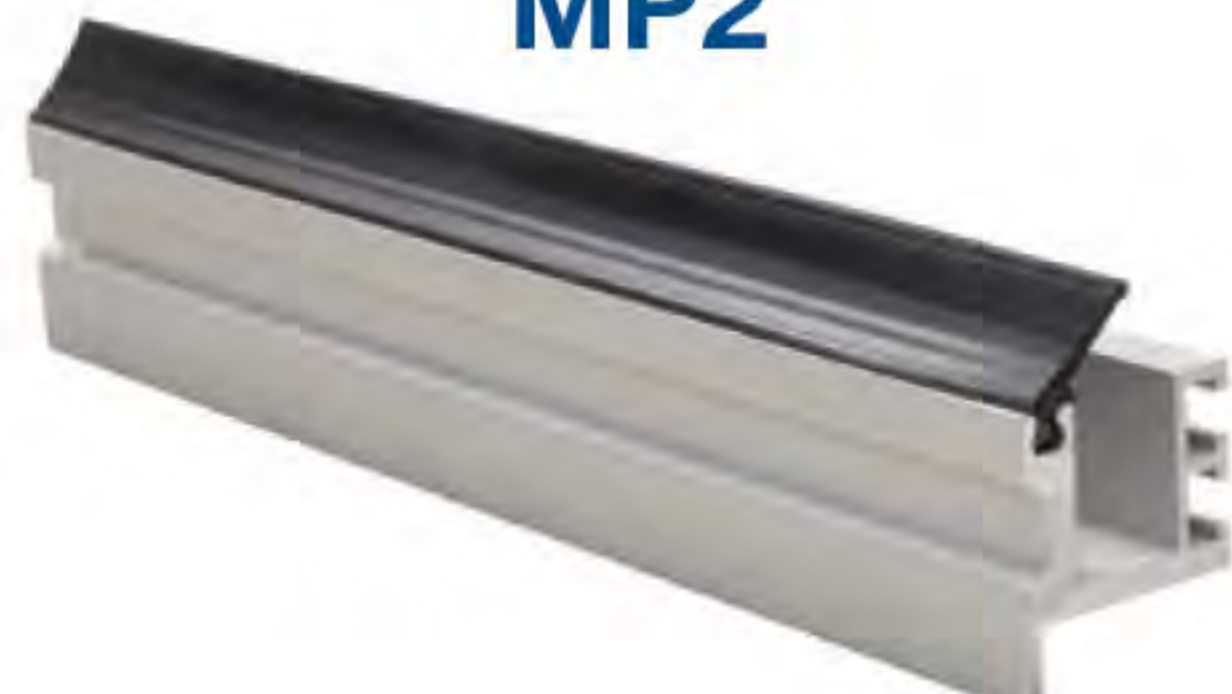
AVAILABLE GUIDE PROFILES



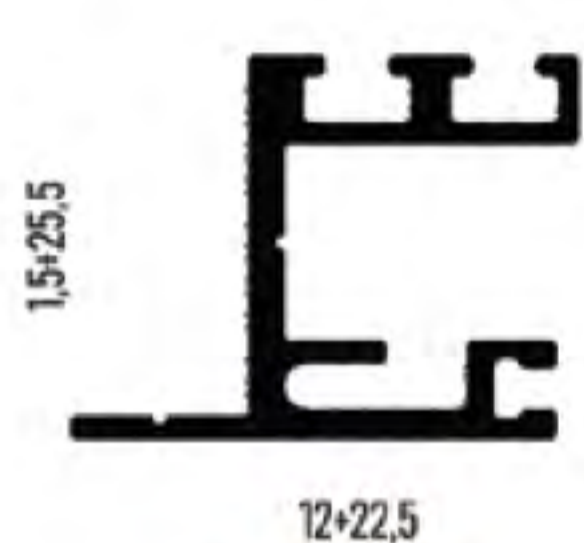
MP1



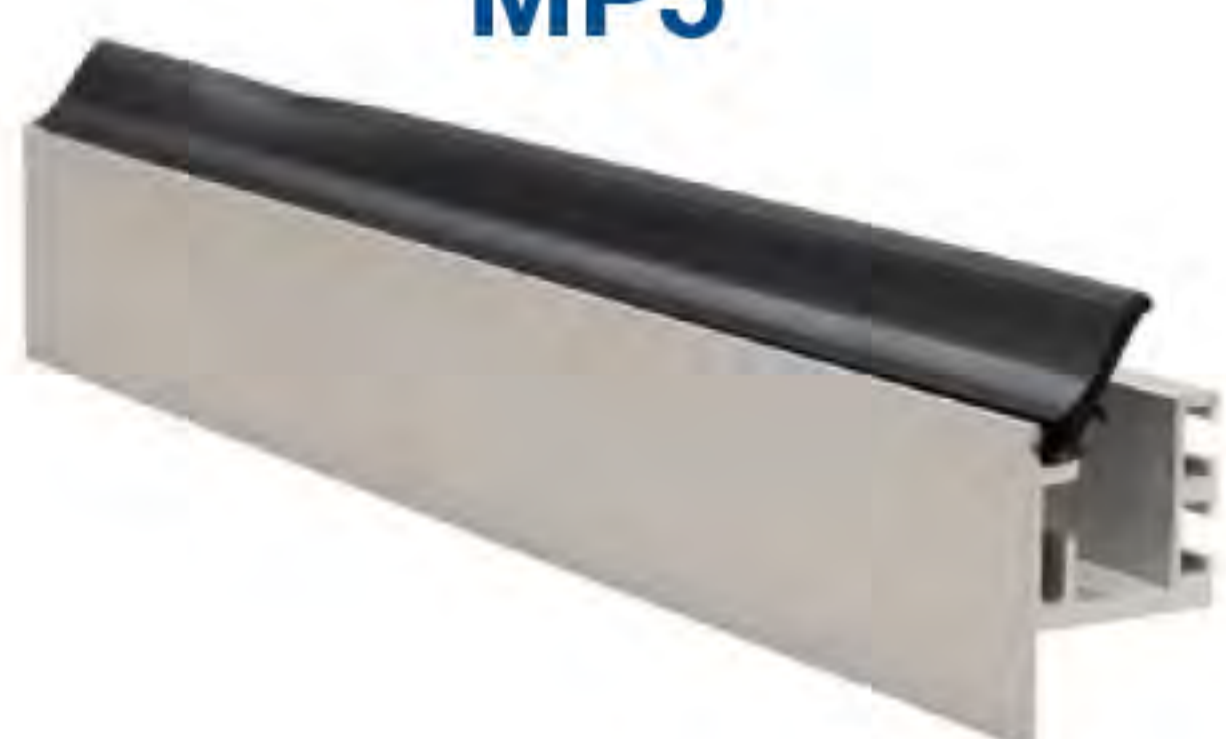
MP2



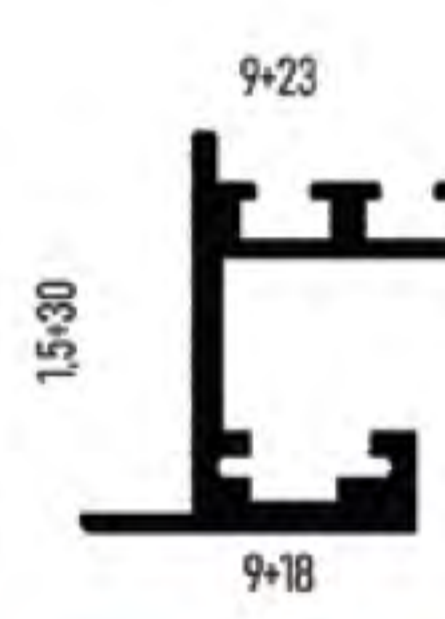
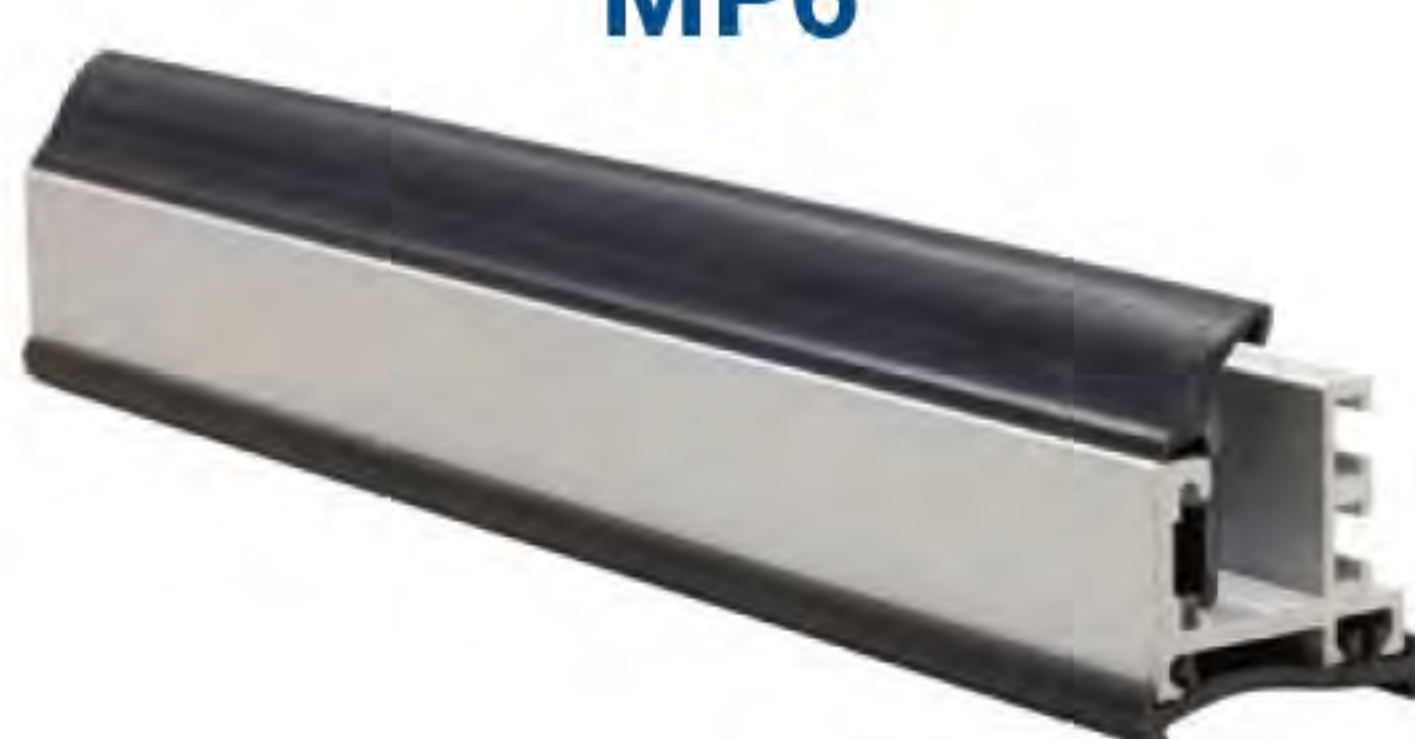
MP4 (1 and 2 rubbers)



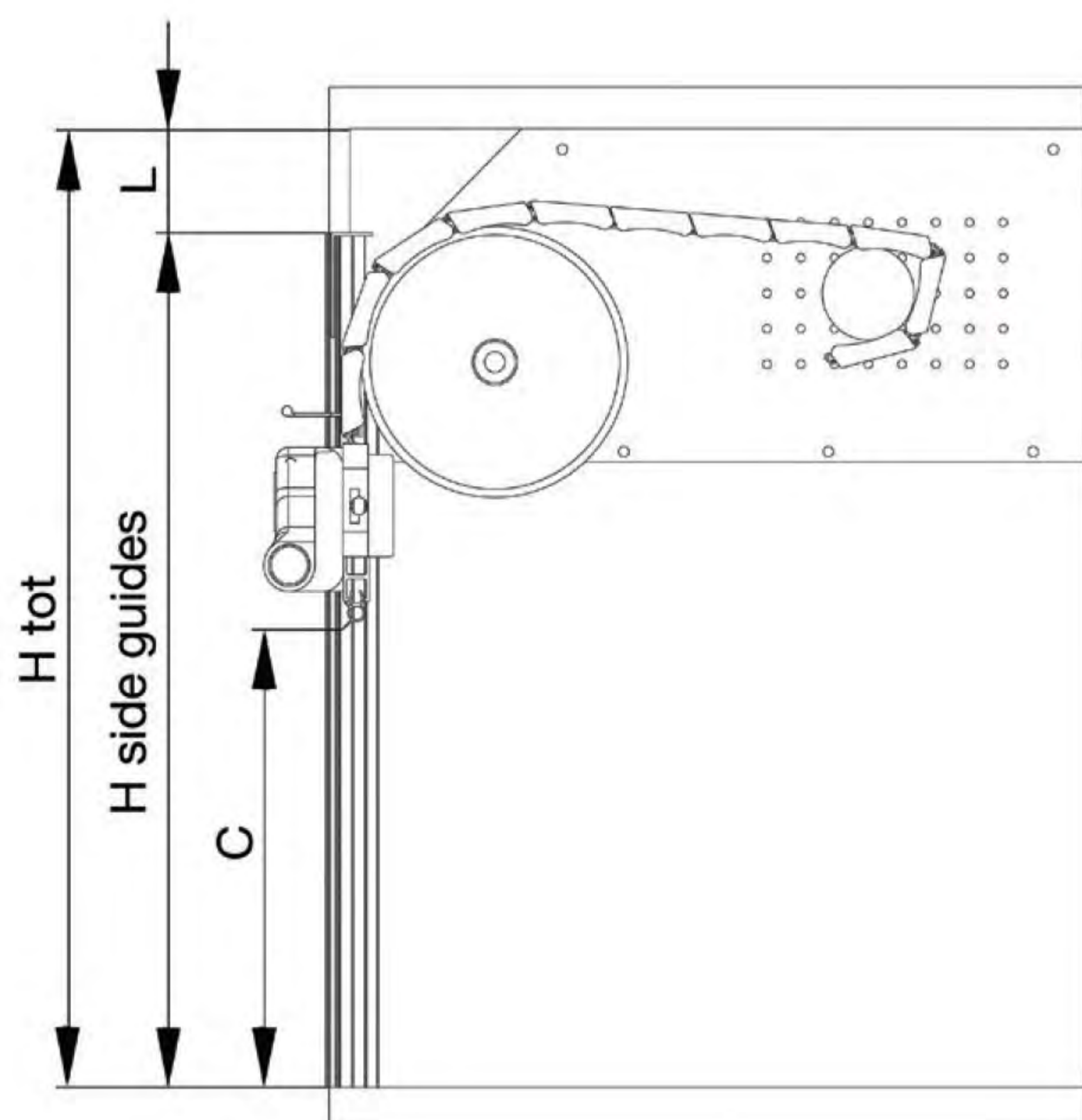
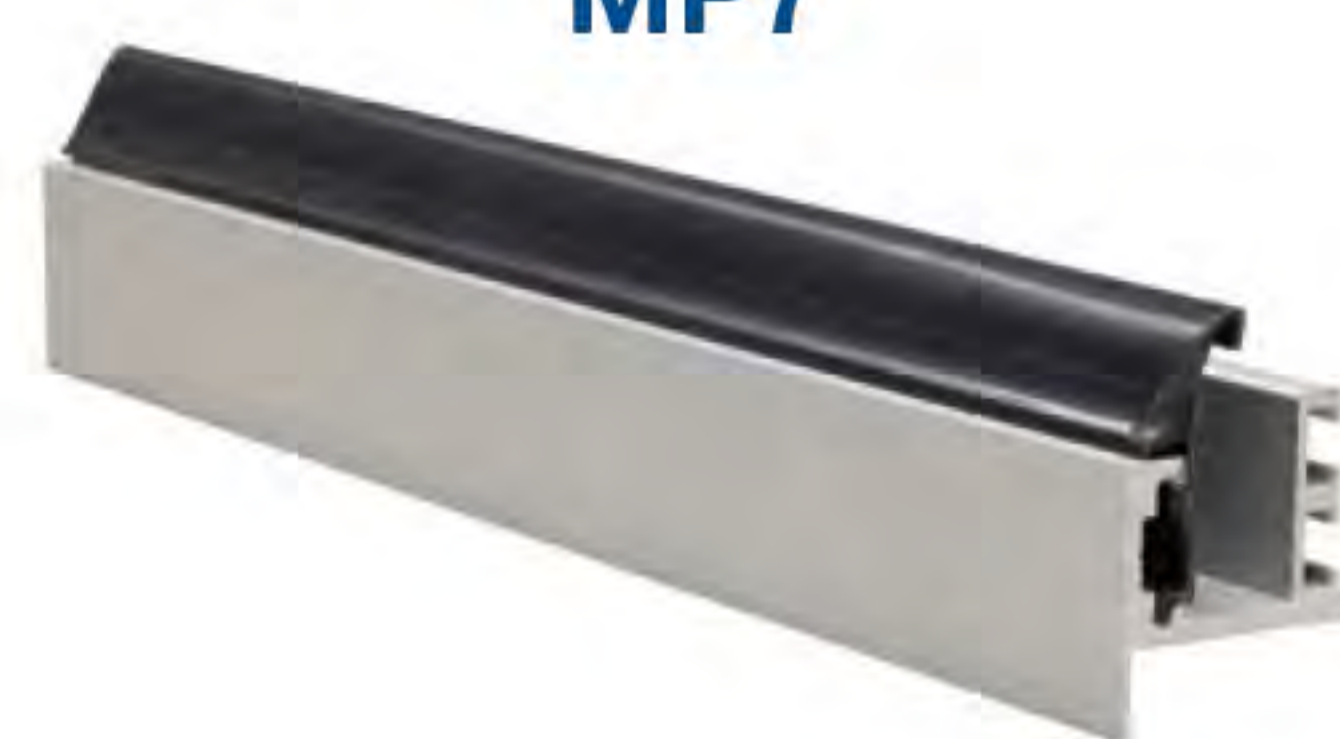
MP5



MP6



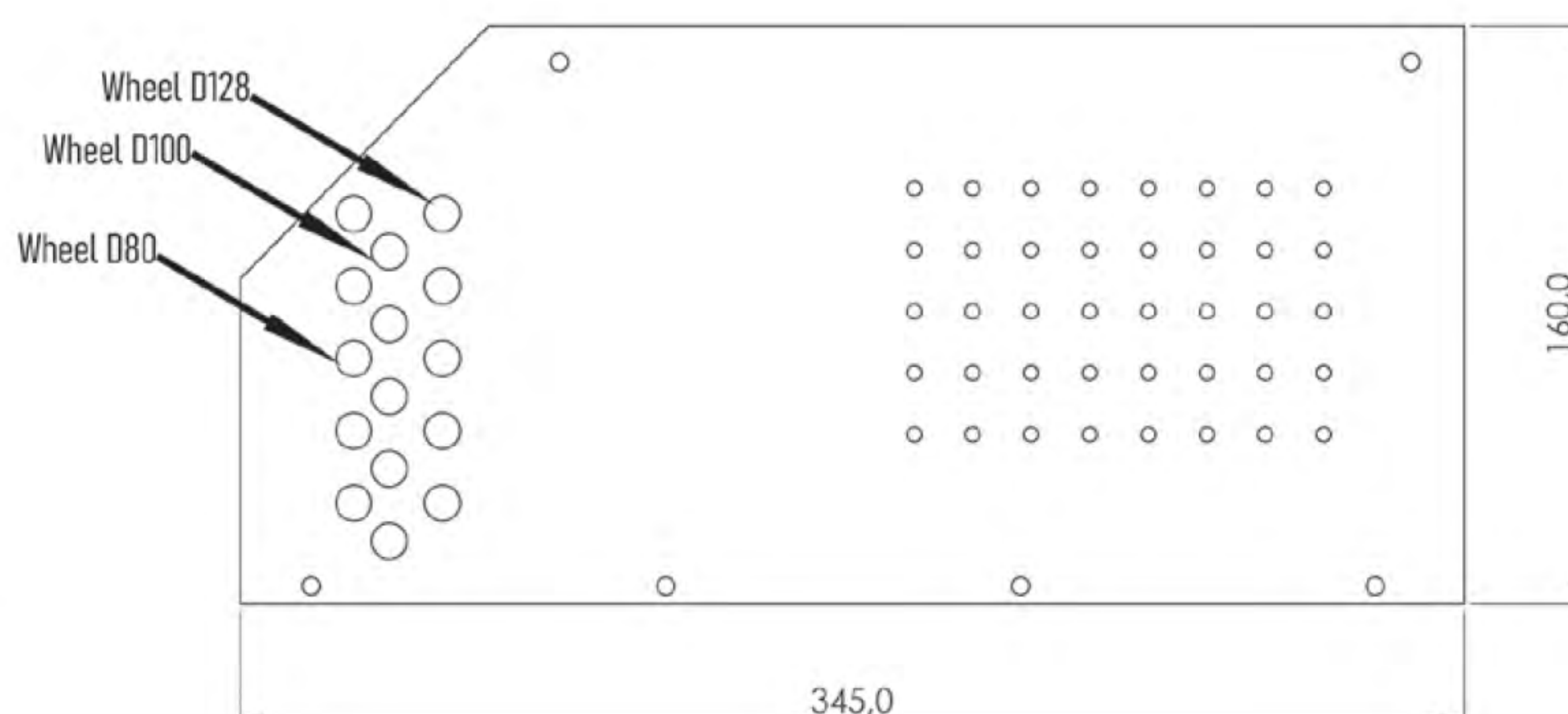
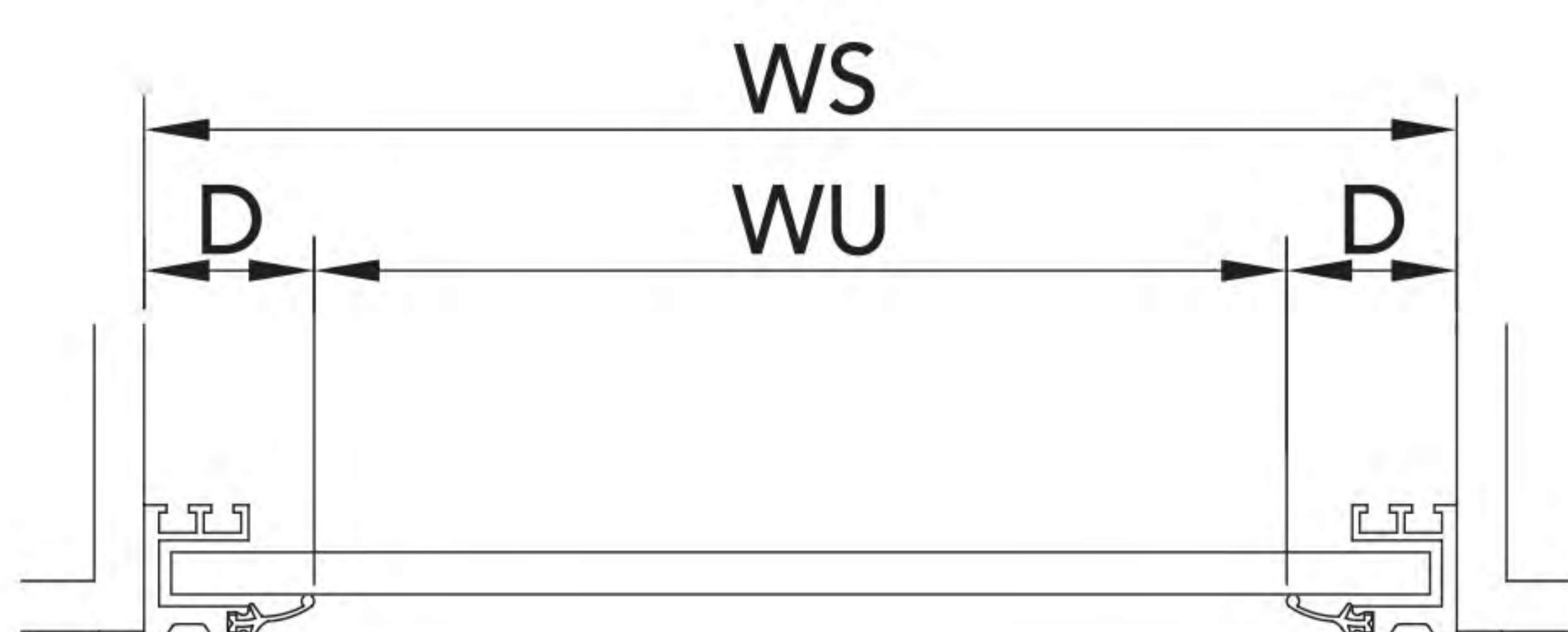
MP7

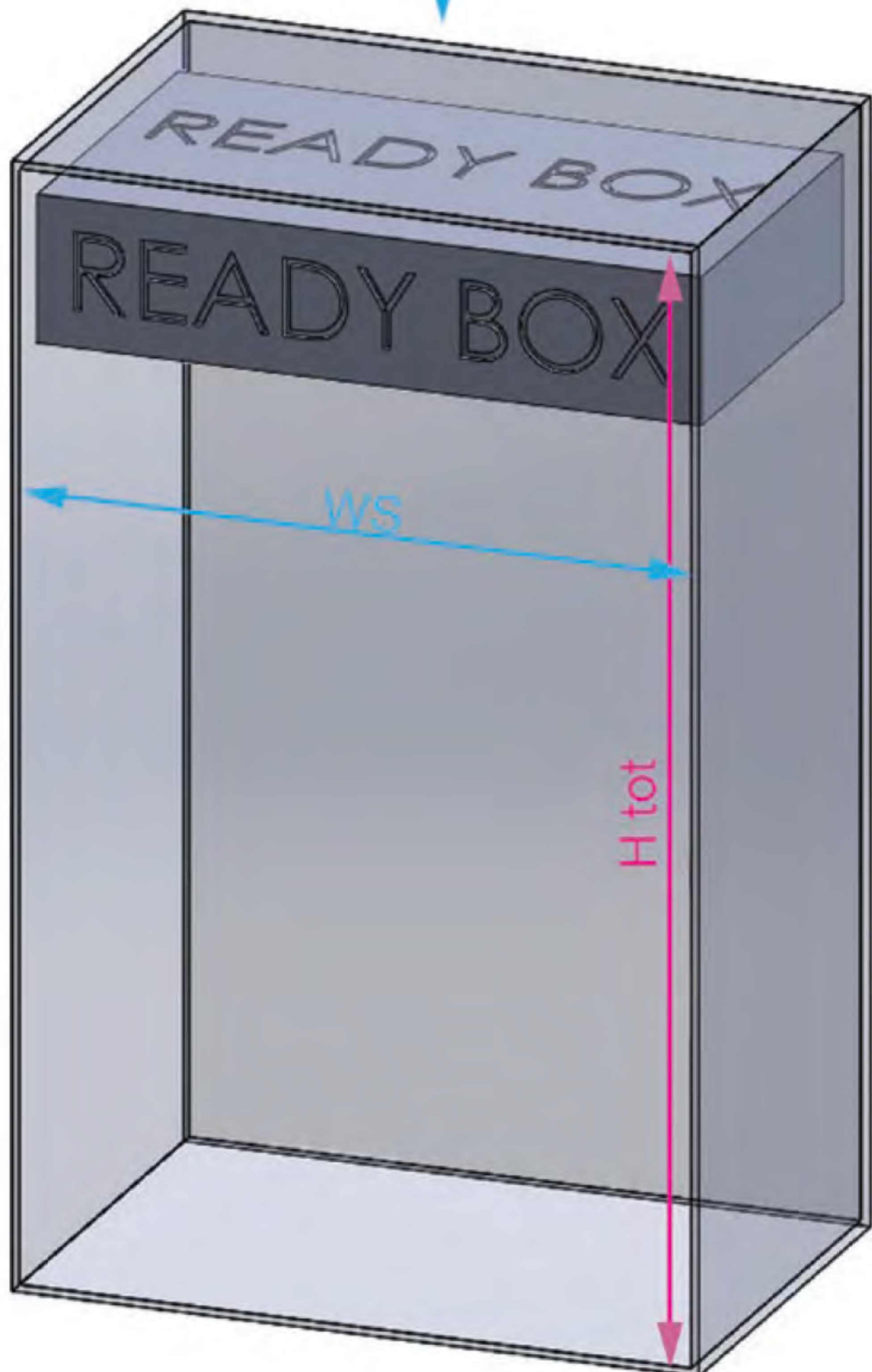
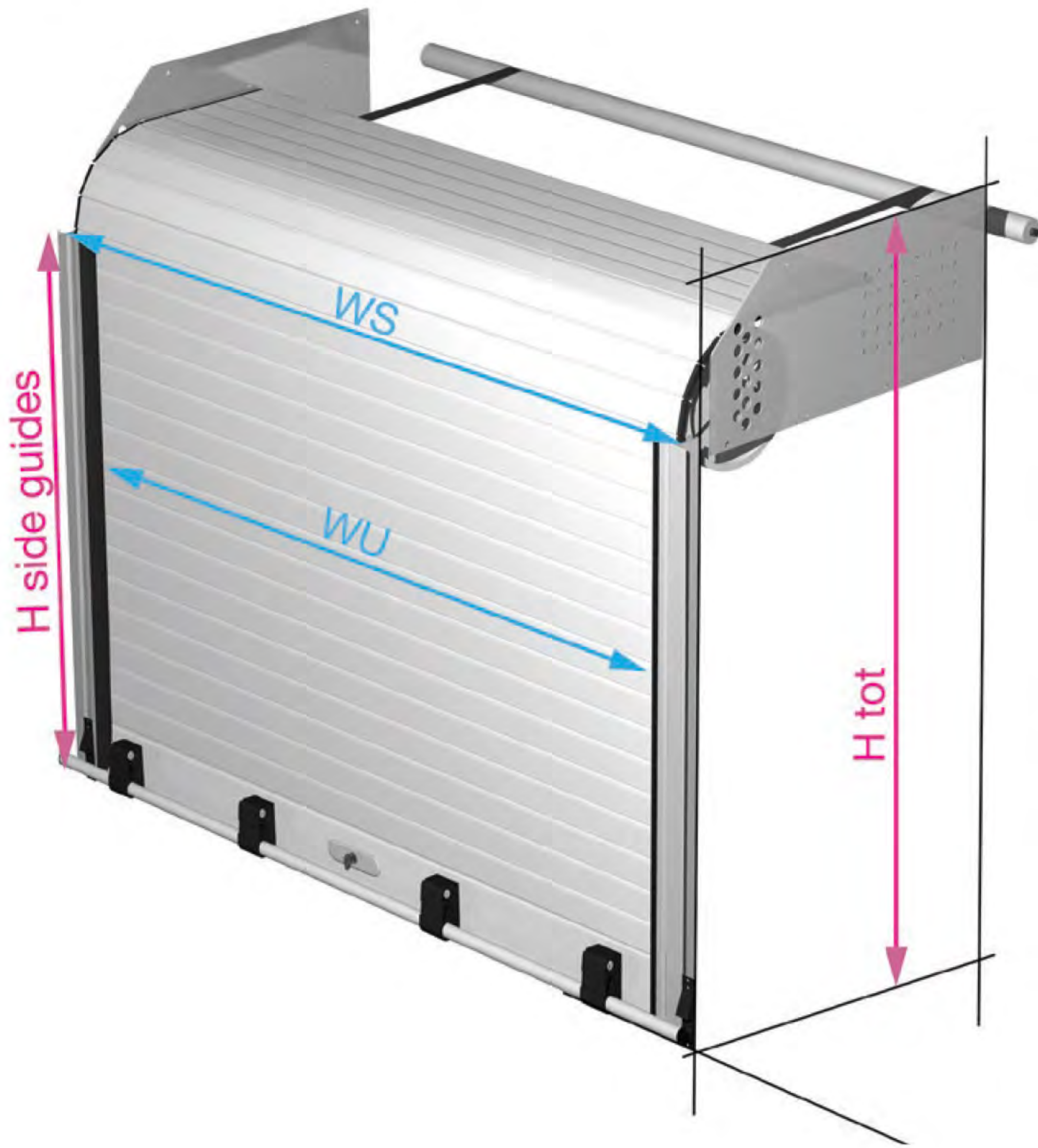


MEASUREMENTS

H tot	Total height
H guides	Side guides height
L	Sliding room
C	Light height
WU	Light width
WS	Total width
D	Guide and gasket edge

FIXING PLATE - dimensions and rows for the wheel diameter.

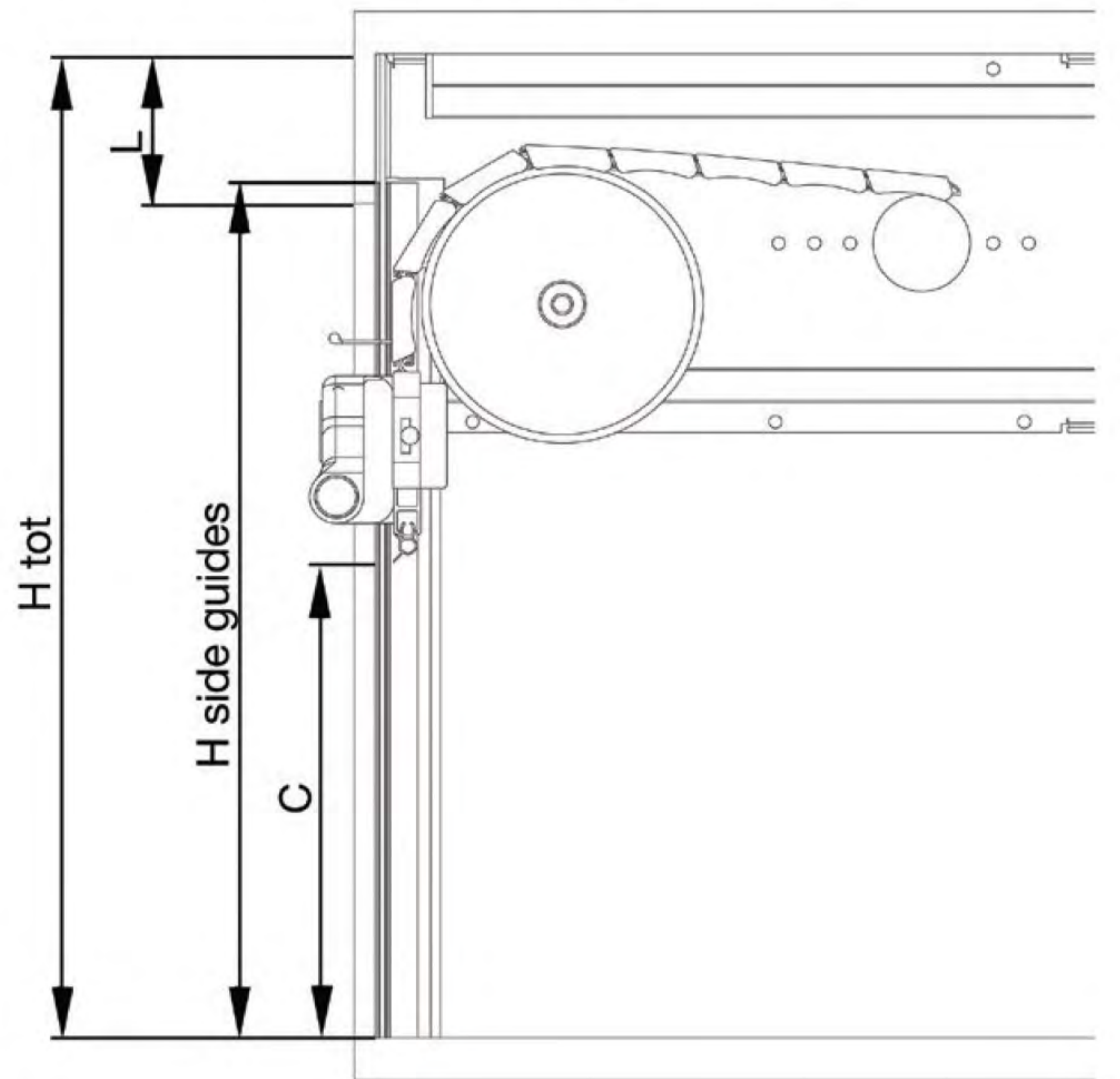




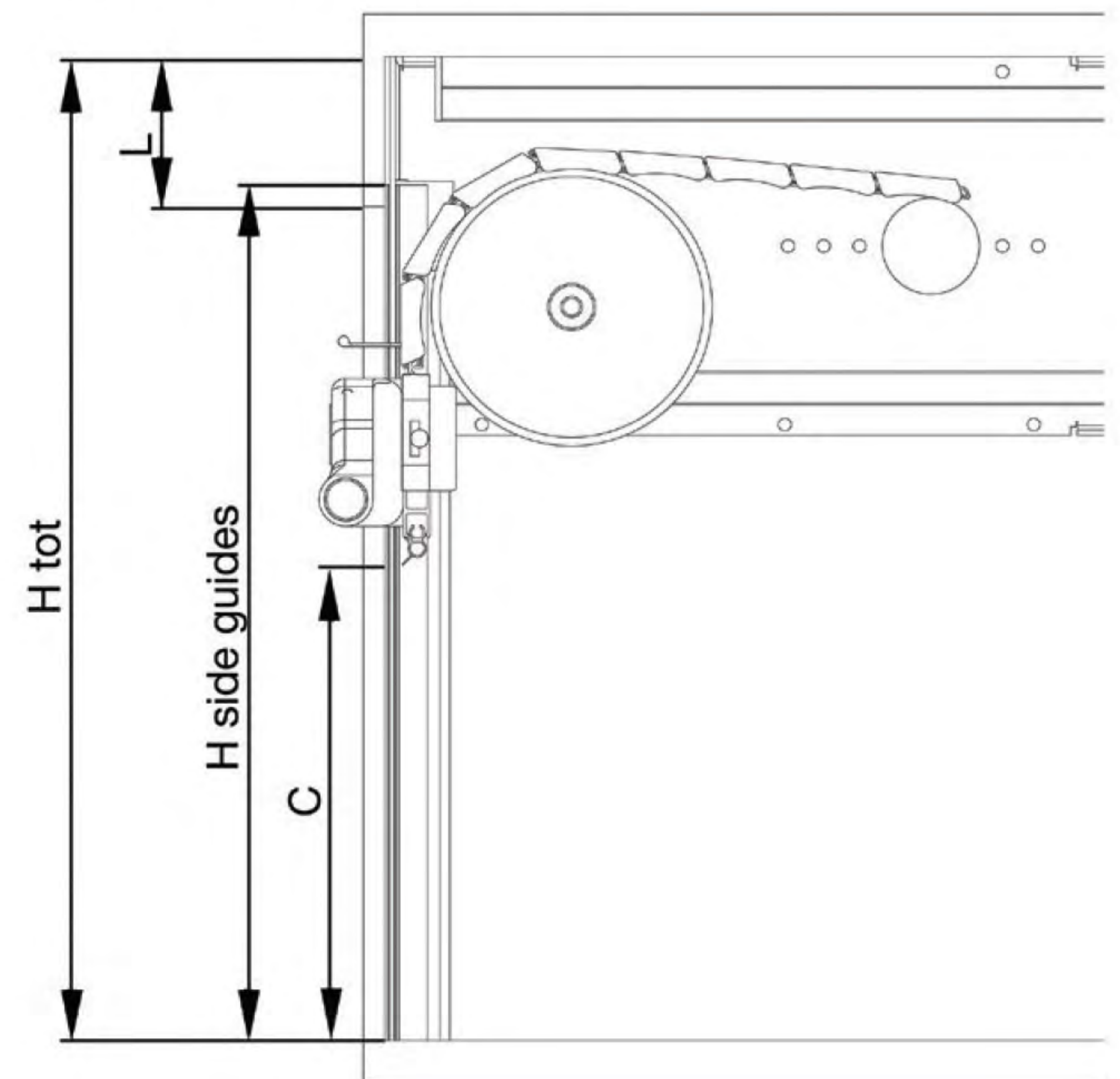
MEASURING

MEASUREMENTS	
H tot	Total height
H guides	Side guides height
L	Sliding room
C	Light height
WU	Light width
WS	Total width

SRS TOP READY MP4



SRS TOP READY MP5

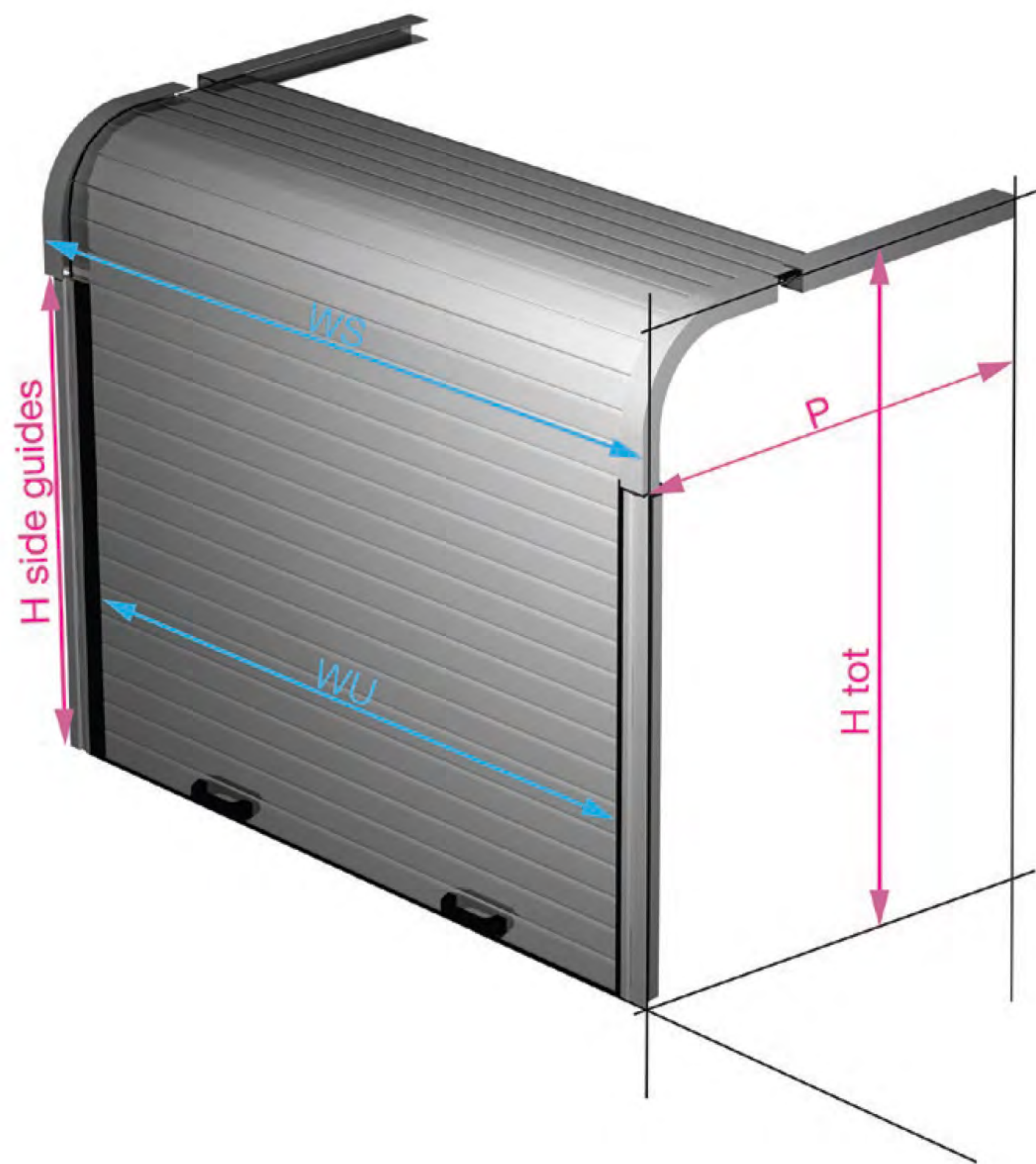


View mounting instruction video MP4

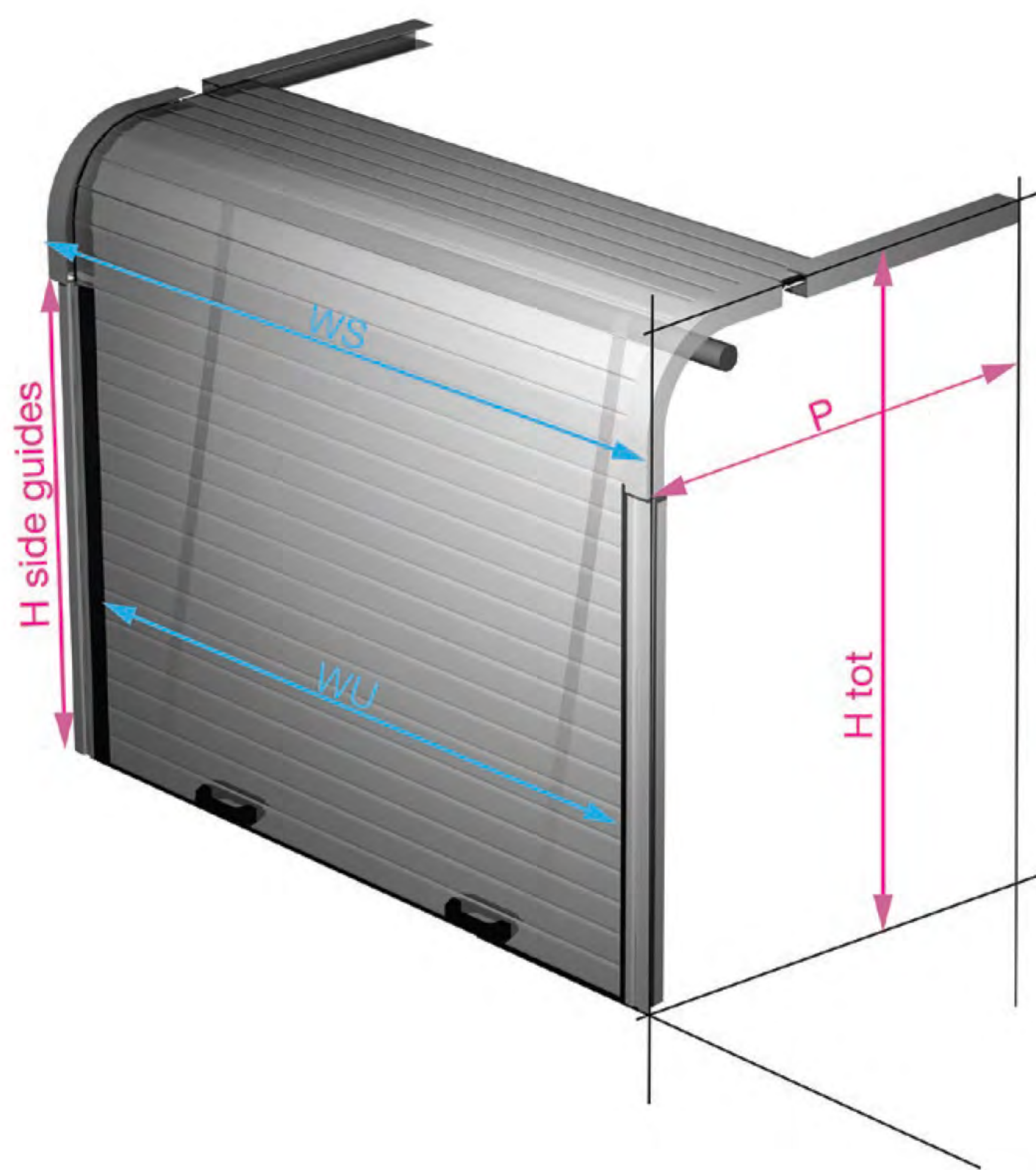


View mounting instruction video MP5

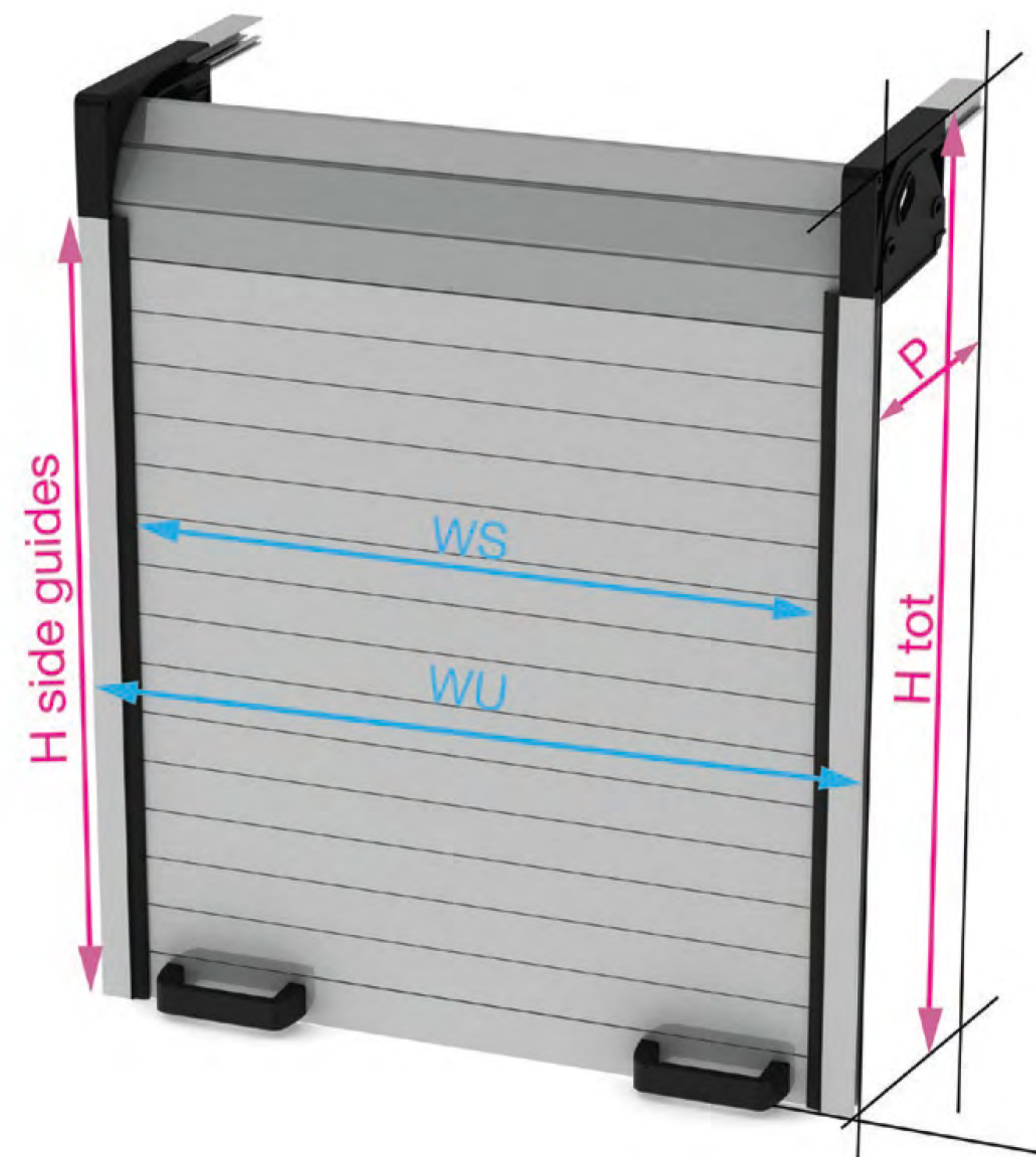
SRS ECO



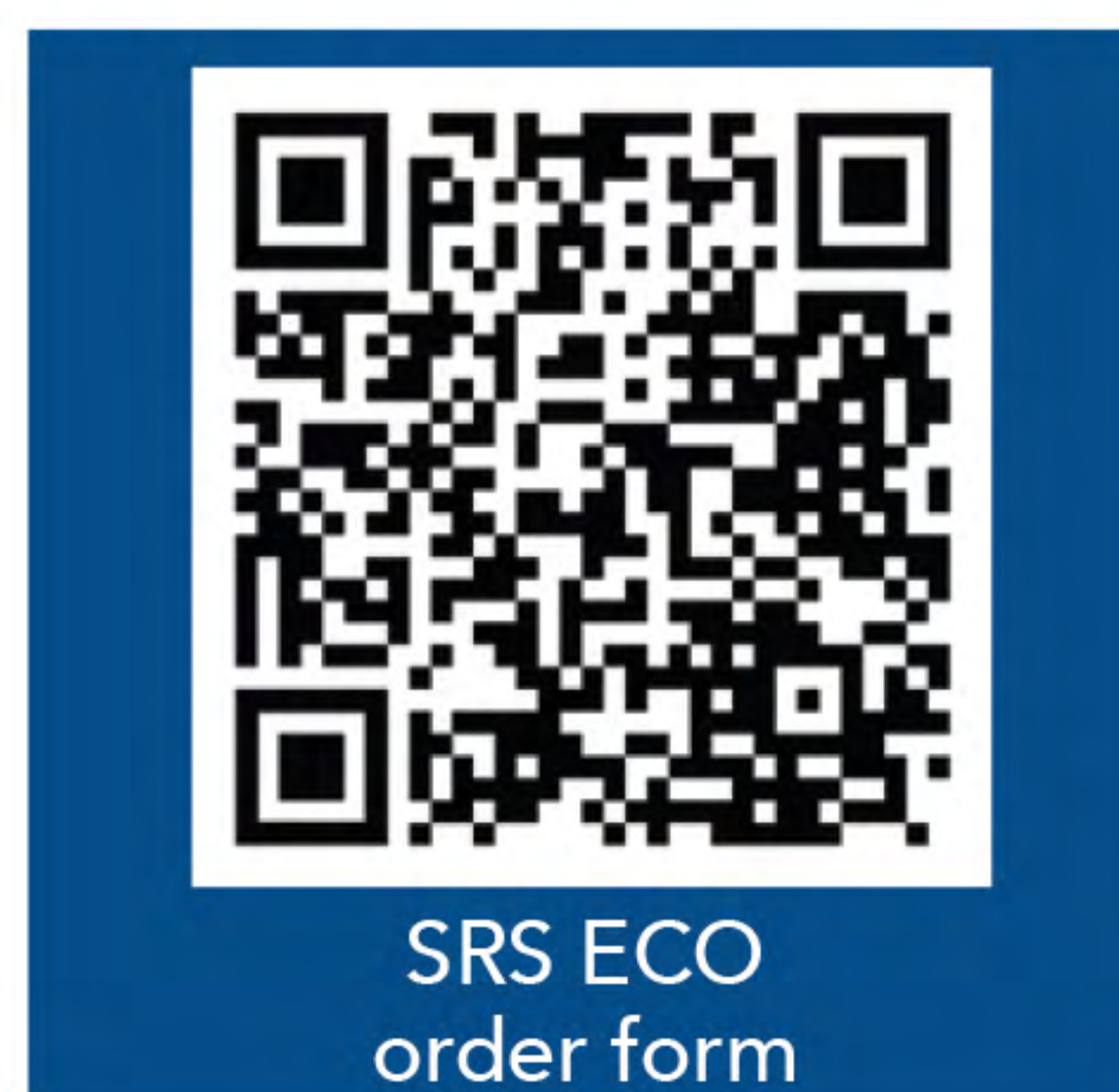
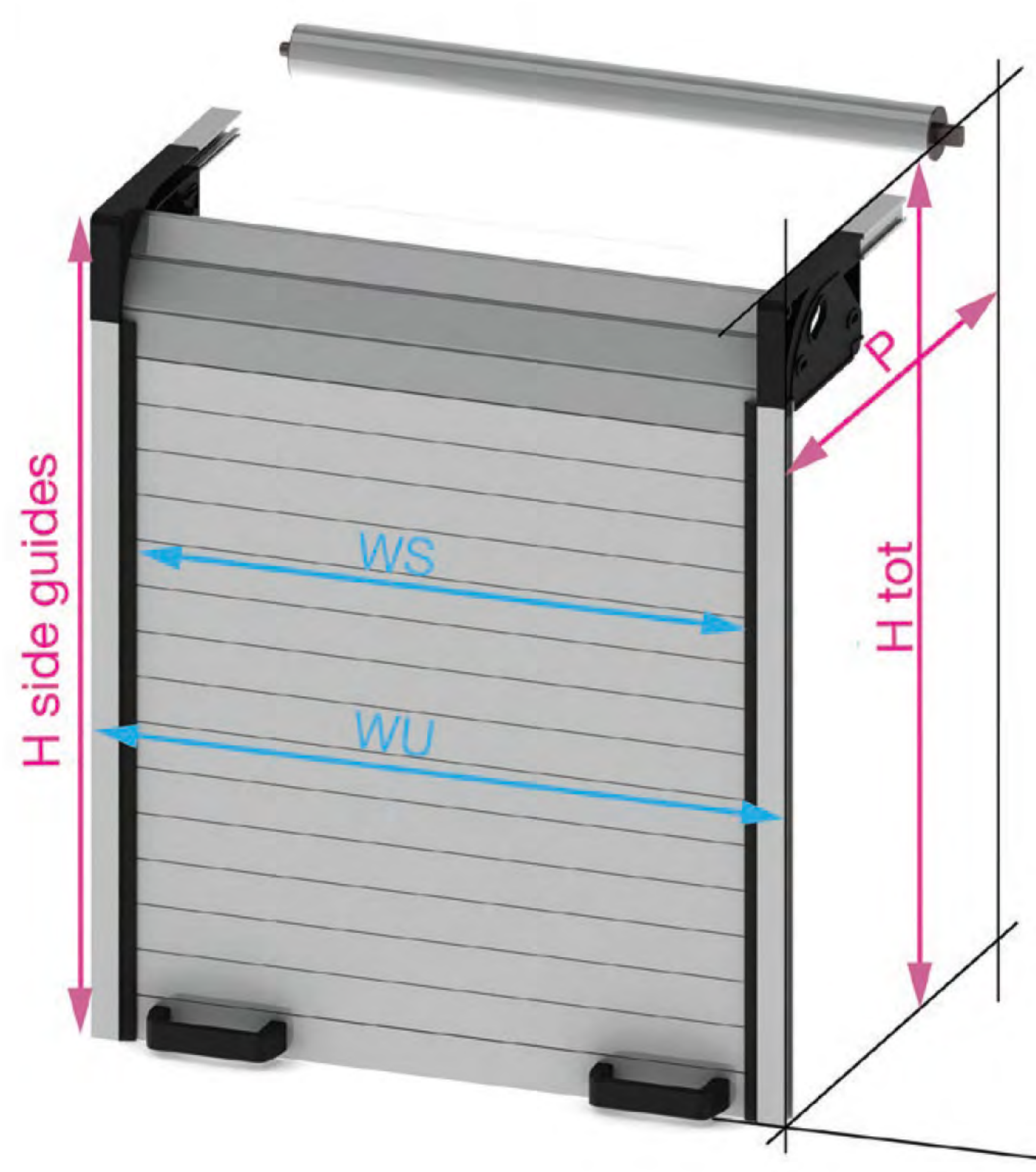
SRS ECO PLUS



SRS ECO SIMPLY



SRS ECO SIMPLY PLUS





SRS[®]
ROLLER SHUTTERS

Via B. Castelli, 44-46-48
25010 Montirone (BS) Italia
Tel. +39 030-2677496
Fax +39 030-2170480

www.serenaproduction.it
www.srs-shutters.com

Email: sales@srs-shutters.com
info@serenaproduction.it

 @Serenaproduction

 /company/serena-production/

FIRECO SRL
Via E. Fermi, 56
25064 GUSSAGO (BS)
IT - ITALIA
Tel.: +39 030 3733916
Fax : +39 030 3733762
www.fireco.eu
info@fireco.it

HISPAMAST, S.L.
C/Estaño, 30
28510 Campo Real
ES - ESPAÑA
Tel.: +34 918 733733
Fax: +34 918 765141
www.hispamast.com
info@hispamast.com

EUROMAST S.A.R.L.
Savoie hexapole,
101 Rue Louis Armand, 73420 Mery
FRANCE
Tel.: +33 4 79349215
Fax: +33 4 793492 16
www.euromast.fr
fireco@euromast.fr

FIRECO SYSTEMS N.V.
Diestersteenweg 142
3510 KERMT
BE - BELGIUM
Tel.: +32 11 851602
Fax : +32 11 851604
www.fireco.be
info@fireco.be

FIRECO ASIA
No. 9, Jalan TP 3/2 Taman
Perindustrian UEP
47620 SUBANG JAYA - MALAYSIA (MY)
Tel.: +603 8011 2300
Fax: +603 8812367
www.fireco-asia.com
gc@fireco-asia.com

Fireco US
1740 N. Gateway Boulevard
Fresno, California 93727
USA
Tel.: +1 559 353-2823
Fax: +1 559 255-7012
info@firecousa.com
www.firecousa.com